

Location:



Lavatory Faucet SLS-3512, SLS-3510 Specification Submittal



SLS-3512

SLS-3510



Model Numbers

- SLS-3512 Lavatory Faucet with pop-up drain assembly
- SLS-3510 Lavatory Faucet only

Finish Options / Modifications

Append appropriate -suffix to model number.

- Polished chrome (standard finish)

Options / Modifications

Append appropriate -suffix to model number.

- 1.0 1.0 (3.8 L/min) Flow rate restrictor
- 1.5 1.5 (7.6 L/min) Flow rate restrictor
- NA Non-aerated laminar flow outlet at 2.2 gpm (8.3 L/min)
- DP4 4 inch deck plate

Feature Highlights

- Single post round lavatory faucet with quarter turn ceramic control components
- Single swivel lever handle with red & blue hot/cold indicators
- Single hole deck mounting
- 4 inch deck plate (optional)
- 20 inch braided supply hoses with 3/8 inch threaded compression connectors
- Pop-up drain and lift rod assembly (model SLS-3512)
- Aerator with 2.2 gpm flow rate (8.3 L/min)
Optional aerator available in lower flow rates
- Metal construction
- Polished chrome finish (standard)

Standards / Certifications

- ASME A112.18.1-005/ CSA B125.1-05
- Low lead compliant per AB-1953
Listed by I.A.P.M.O

PENDING

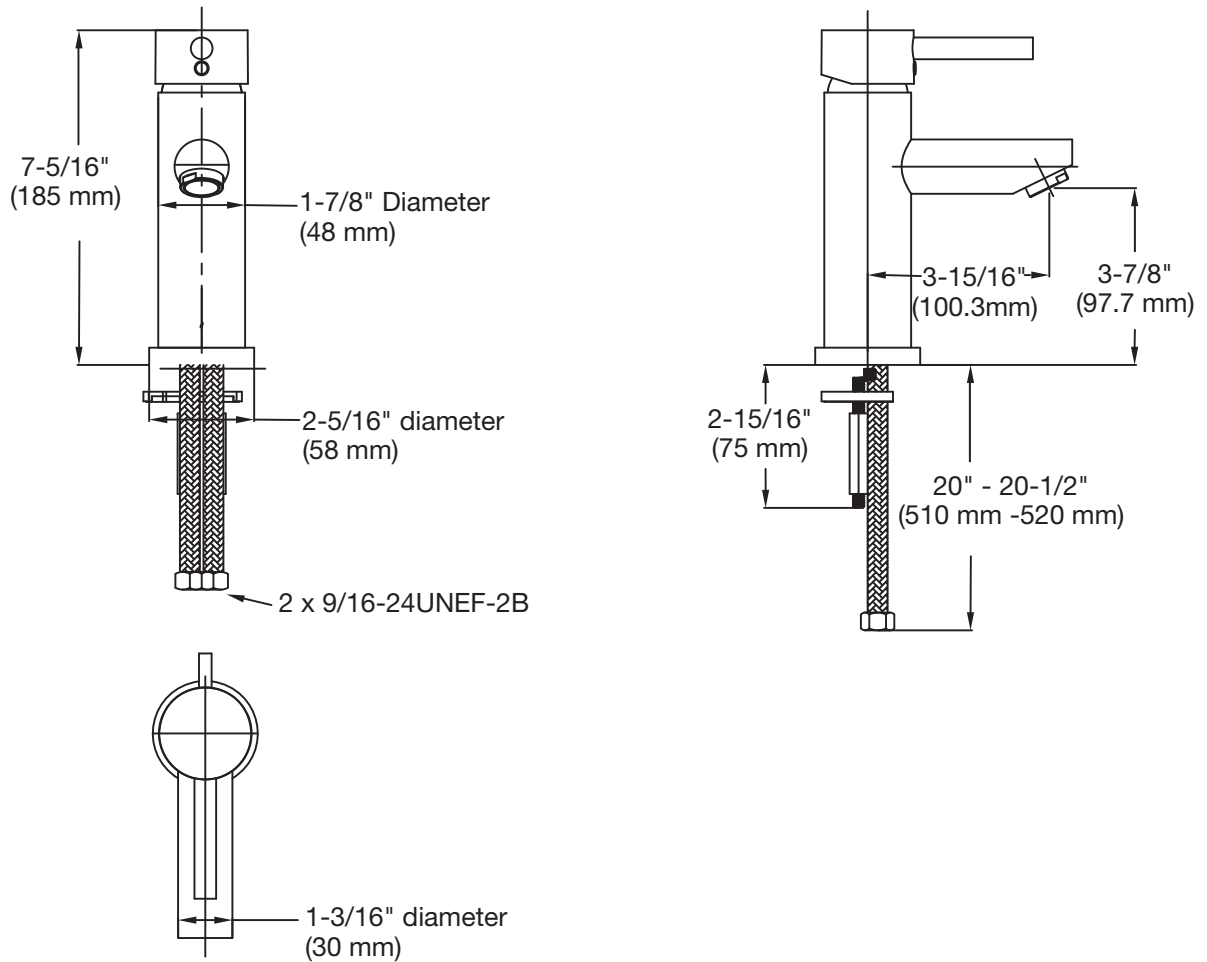
- ADA Compliant for lever handles



Warranty

- Limited Lifetime - to the original end purchaser in consumer installations.
- 5 years - for commercial installations

Dimensions *Dia Lavatory Faucet, SLS-3510, SLS-3512*



Symmons Industries, Inc. ■ 31 Brooks Drive ■ Braintree, MA 02184
(800) 796-6667, (781) 848-2250 ■ Fax (800) 961-9621, (781) 664-1300
Website: www.symmons.com ■ Email: customerservice@symmons.com

©2010 Symmons Industries, Inc. Printed in U.S.A. ■ 042810


SYMMONS®
the smart choice™