



**T&S BRASS AND BRONZE WORKS, INC.**  
 2 SADDLEBACK COVE / P.O. BOX 1088 / TRAVELERS REST, SC 29690  
 PHONE 800-476-4103 - FAX 864- 834-3518



Model No.

BL-5705-04

**RELIABILITY  
 BUILT IN**

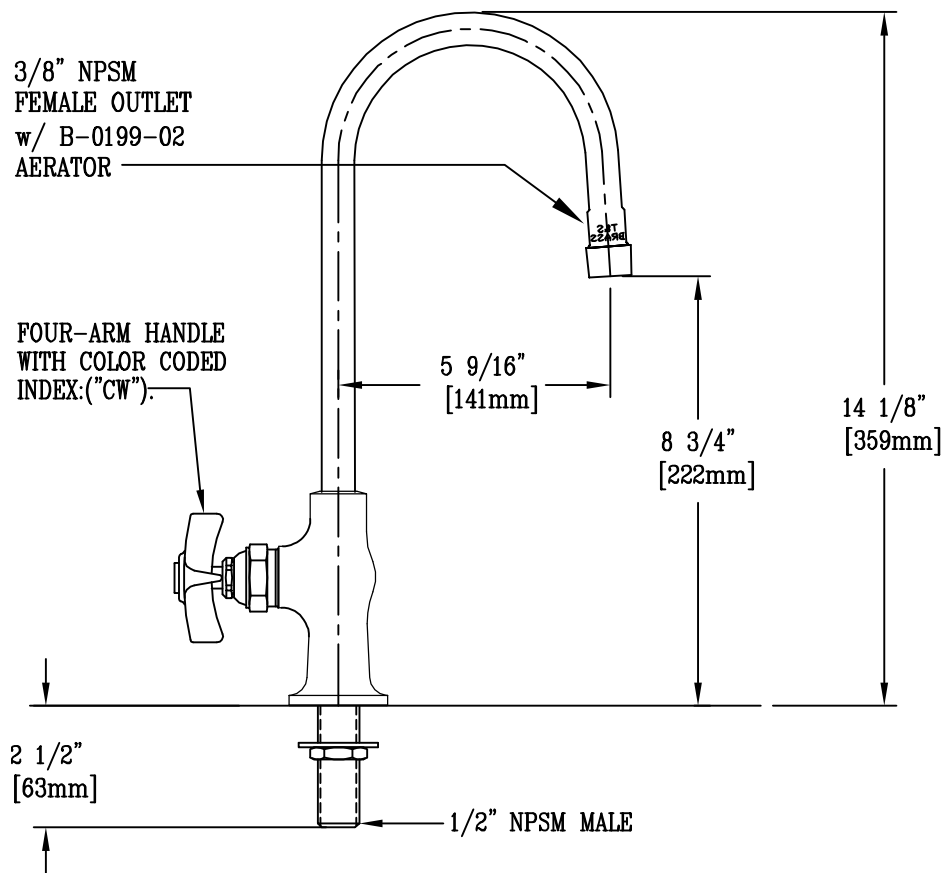
Job Name:

Architect/Engineer Approval:

Notes:



ADA COMPLIANT



150A TAILPIECE  
 AND NUT FURNISHED  
 FOR OPTIONAL  
 1/4" NPT CONNECTION

Product Description:

SINGLE TEMPERATURE LAB FCT. w/ RIGID GOOSENECK,  
 AERATOR OUTLET, & 1/2" NPSM MALE INLET

Drawn:

LEL

Approved

MVW

Checked

JKD

Scale:

1 : 4

Date:

9/11/02