

S-3661



Single Lever Kitchen Faucet

GENERAL SPECIFICATION

Polished chrome plated vandal-resistant single lever kitchen faucet. All metal construction. Long-life ceramic cartridge. Adjustable temperature limit stop and flow control. Solid brass body. Vandal-resistant flow control reduces flow to 2.2 gpm/8.4 lpm. Copper tube inlets with 1/2" NPSM compression threads. Meets ASME A112.18.1/CSA B125.1 and NSF61.

S-3661

Side mount single lever gooseneck faucet. 8" deep gooseneck spout, rigid or swivel. Includes stainless steel braided hose connection from valve to spout.

S-3761

Single lever kitchen faucet. 8" deck.

OPTIONS

SUFFIX	DESCRIPTION
<input type="checkbox"/> ADA	6" single lever handle
<input type="checkbox"/> BO	0.5 gpm flow control, vandal-resistant
<input type="checkbox"/> CA**	No lead for CA AB1953 compliance (S-3661 only)
<input type="checkbox"/> FC*	2.0 gpm laminar flow control, plain end spout (S-3661 only)
<input type="checkbox"/> GB	1.5 gpm flow control, vandal-resistant
<input type="checkbox"/> HS	Hose and spray attachment
<input type="checkbox"/> LF	2.2 gpm laminar flow control outlet
<input type="checkbox"/> SO	Rose spray outlet (S-3661 only)
<input type="checkbox"/> 9*	9" deep tubular swing spout rigid or swivel (S-3661 only)
<input type="checkbox"/> 4*	3-3/4" deep gooseneck rigid or swivel (S-3661 only)
<input type="checkbox"/> 5*	5-1/4" deep gooseneck rigid or swivel (S-3661 only)
<input type="checkbox"/> 12*	12" deep tubular swing spout, rigid or swivel (S-3661 only)
<input type="checkbox"/> VB6*	6" deep spread rigid vacuum breaker spout (S-3661 only)
<input type="checkbox"/> VB8*	8" deep spread rigid vacuum breaker spout (S-3661 only)
<input type="checkbox"/> VR	2.2 aerated flow control, vandal-resistant (S-3761 only)

S-3761



VACUUM BREAKER OPTIONS

SUFFIX	DESCRIPTION
<input type="checkbox"/> ST	Serrated tip
<input type="checkbox"/> SW	Swivel spout

*See page 129 for optional spout specifications

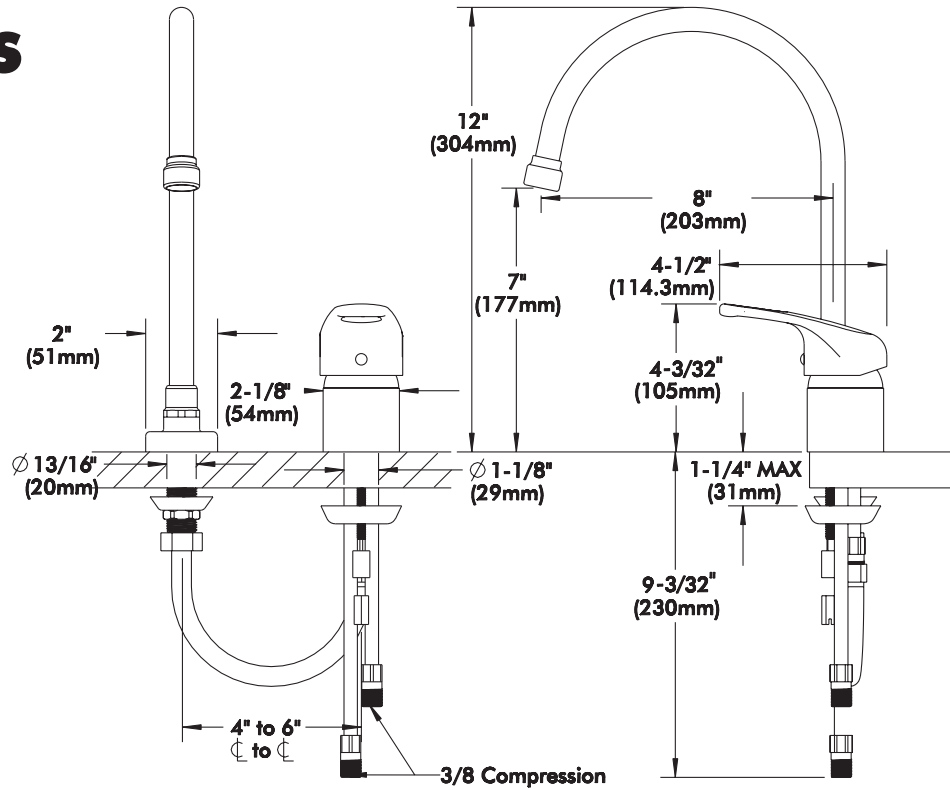
** The following options are not available with the "CA" option:
 HS (Hose & Spray), SO, TWI, VB6, VB8, ST, SW, & TMV.

This space for Architect/Engineer approval.

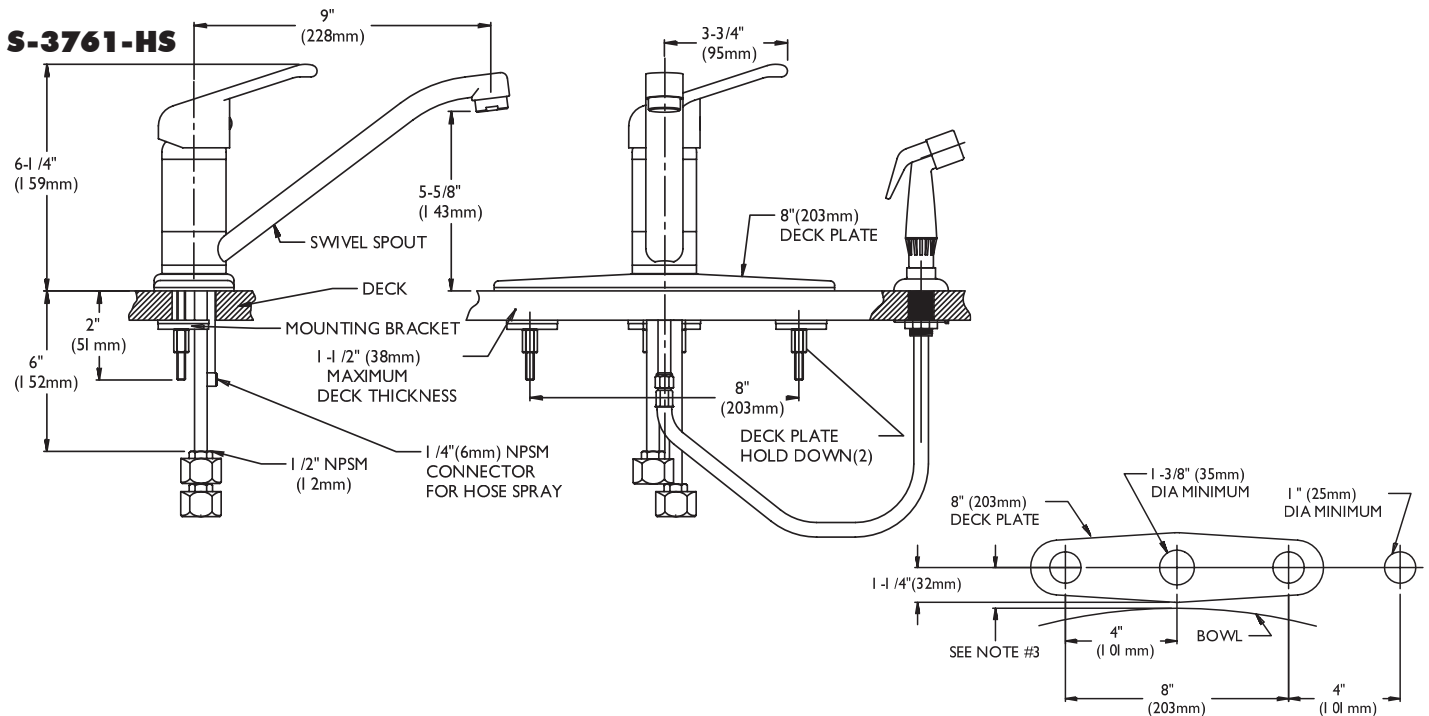


ROUGH-INS

S-3661



NOTE: Unless otherwise specified, all inlets are 3/8" compression with male threads. Unless otherwise specified, all dimensions are in inches and are subject to change without notice.



NOTE: All dimensions are in inches (millimeters) unless otherwise specified and are subject to change without notice. Inlets are sized for coupling connections. Unless otherwise specified, all inlets are 1/2" NPSM.