

## SENSORFLO<sup>®</sup>

### S-8712



## Battery Powered Lavatory Faucet with Above Counter Mixer

### GENERAL SPECIFICATION

Polished chrome plated. Above counter hot/cold mixer with built-in check valves and adjustable temperature limit stop. Solenoid with built-in filter. Includes hoses needed to make mixer connections. Two 3-volt DC lithium batteries with waterproof connectors housed above-counter in spout. Spout consists of all metal chassis and removable cover. Low battery warning light. Vandal-resistant 60-second time out feature. Water conserving vandal-resistant flow control reduces flow to 2.2 gpm/8.4 lpm. To meet existing ASME A112.18.1/CSA B125.1 standard.

NOTE: Stainless steel flexible supply hoses, 3/8" compression, to supply stops not included, see options below.

#### S-8712

Low profile faucet with 4" deck plate.

#### S-8722

Low profile faucet with 8" deck plate.

### S-8722



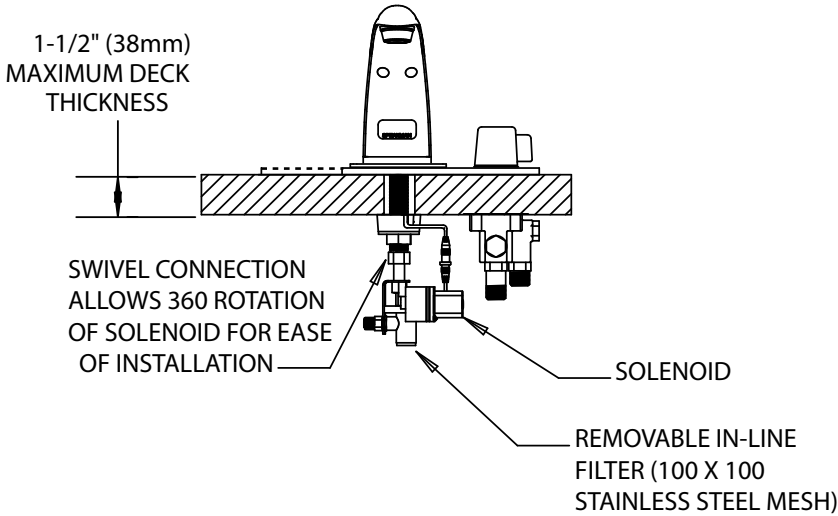
### OPTIONS

SUFFIX	DESCRIPTION
<input type="checkbox"/> ADA	ADA handle
<input type="checkbox"/> BO	0.5 gpm flow control, vandal-resistant
<input type="checkbox"/> GB	1.5 gpm flow control, vandal-resistant
<input type="checkbox"/> HS	Two (2) stainless steel flexible supply hoses to supply stops
<input type="checkbox"/> LF	2.2 gpm laminar flow control outlet
<input type="checkbox"/> TMV	Under counter thermostatic mixing valve
<input type="checkbox"/> VRS	Vandal-resistant screws for removable cover and custom wrench

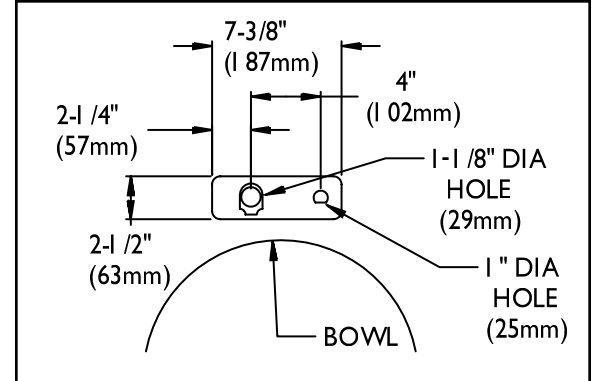
This space for Architect/Engineer approval.



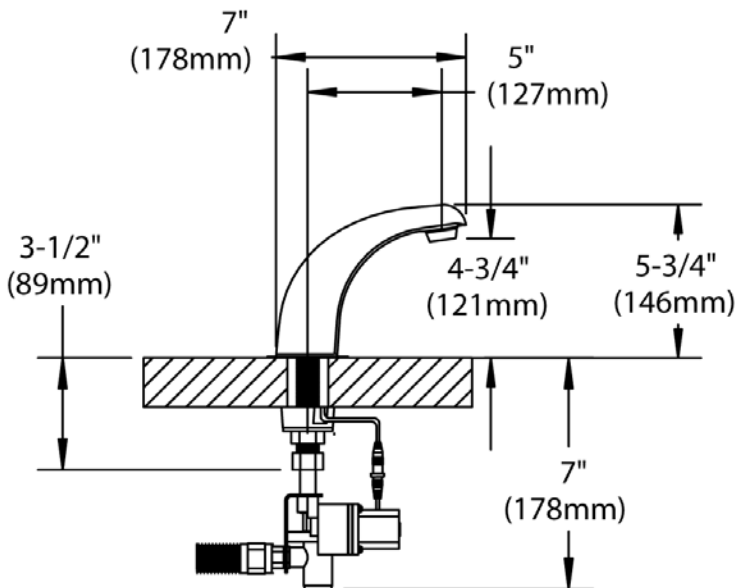
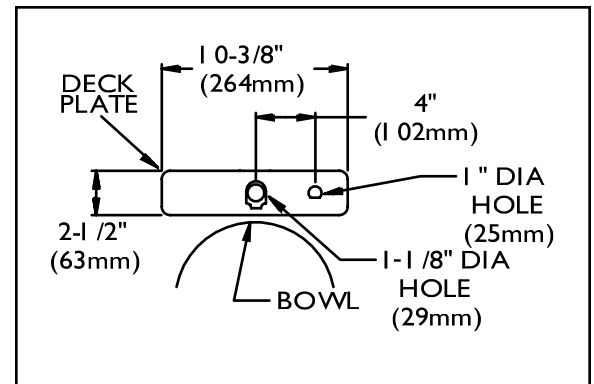
## Rough-Ins



### S-8712



### S-8722



NOTE: Position faucet as close to the edge of the sink as possible. Ensure adequate clearance for wire protector, wires, washers and nut. Unless otherwise specified, all inlets are 3/8 compression with male threads. Unless otherwise specified, all dimensions are in inches and are subject to change without notice.