

## SENSORFLO®

### AC Powered Lavatory Faucet with Above-Counter Mixer

**S-8812**



**S-8822**



#### GENERAL SPECIFICATION

Polished chrome plated. Above counter hot/cold mixer with built-in check valves and adjustable temperature limit stop. Solenoid with built-in filter. Includes hoses needed to make mixer connections. UL/CSA approved transformer 120 VAC to 12 VDC with waterproof connectors. Spout consists of all metal chassis and removable cover. Vandal-resistant 60-second time out feature. Water conserving vandal-resistant flow control reduces flow to 2.2 gpm/8.4 lpm. To meet existing ASME A112.18.1/CSA B125.1 standard.

NOTE: Stainless steel flexible supply hoses, 3/8" compression, to supply stops not included, see options below.

**S-8812**

Low profile faucet with 4" deck plate.

**S-8822**

Low profile faucet with 8" deck plate.

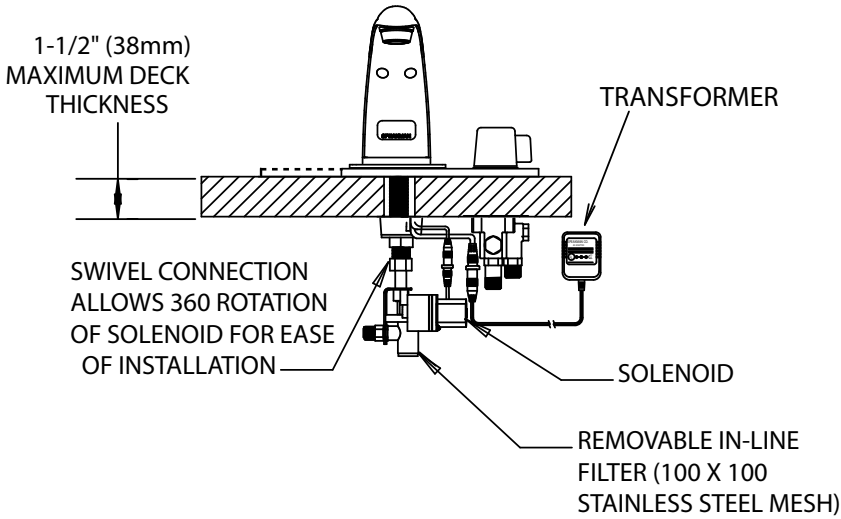
#### OPTIONS

| SUFFIX                       | DESCRIPTION   |
|------------------------------|---|
| <input type="checkbox"/> ADA | ADA handle  |
| <input type="checkbox"/> BO  | 0.5 gpm flow control, vandal-resistant                        |
| <input type="checkbox"/> GB  | 1.5 gpm flow control, vandal-resistant                        |
| <input type="checkbox"/> HS  | Two (2) stainless steel flexible supply hoses to supply stops |
| <input type="checkbox"/> LF  | 2.2 gpm laminar flow control outlet                           |
| <input type="checkbox"/> LT  | Less transformer  |
| <input type="checkbox"/> TMV | Under counter thermostatic mixing valve                       |
| <input type="checkbox"/> VRS | Vandal-resistant screws for removable cover and custom wrench |

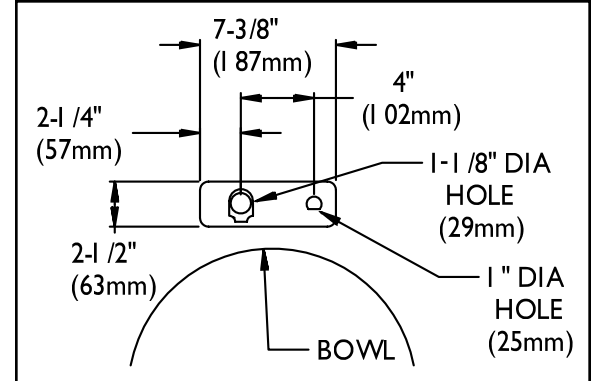
This space for Architect/Engineer approval.



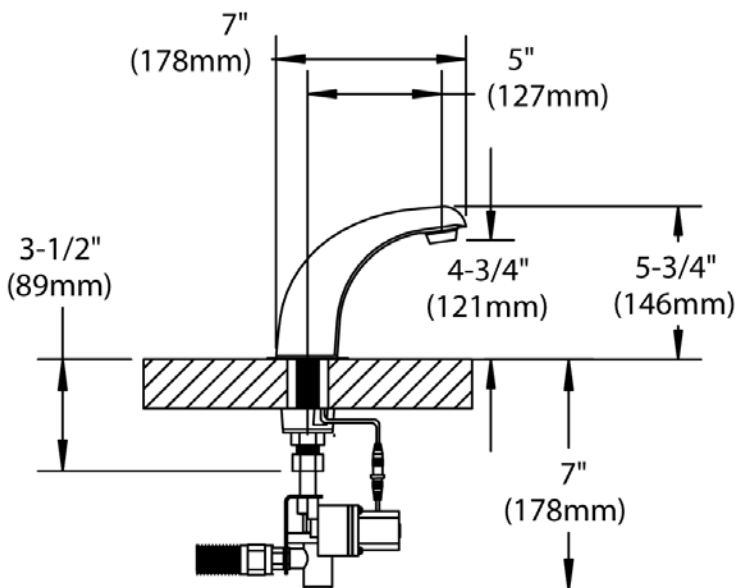
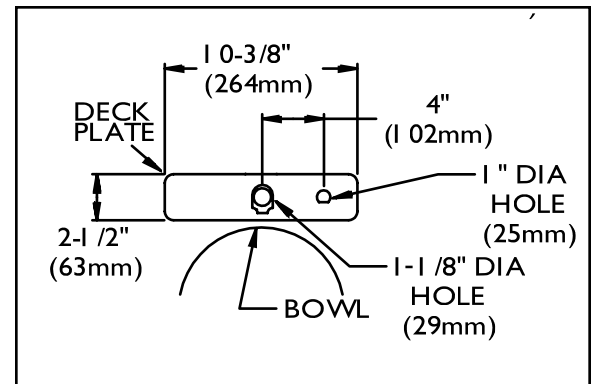
## Rough-Ins



### S-8812



### S-8822



NOTE: Position faucet as close to the edge of the sink as possible. Ensure adequate clearance for wire protector, wires, washers and nut. Unless otherwise specified, all inlets are 3/8 compression with male threads. Unless otherwise specified, all dimensions are in inches and are subject to change without notice.