



T&S BRASS AND BRONZE WORKS, INC.  
 2 SADDLEBACK COVE / P.O. BOX 1088 / TRAVELERS REST, SC 29690  
 PHONE 800-476-4103 FAX 864- 834-3518



REG.#A2601  
 ISO #9002

Model No.

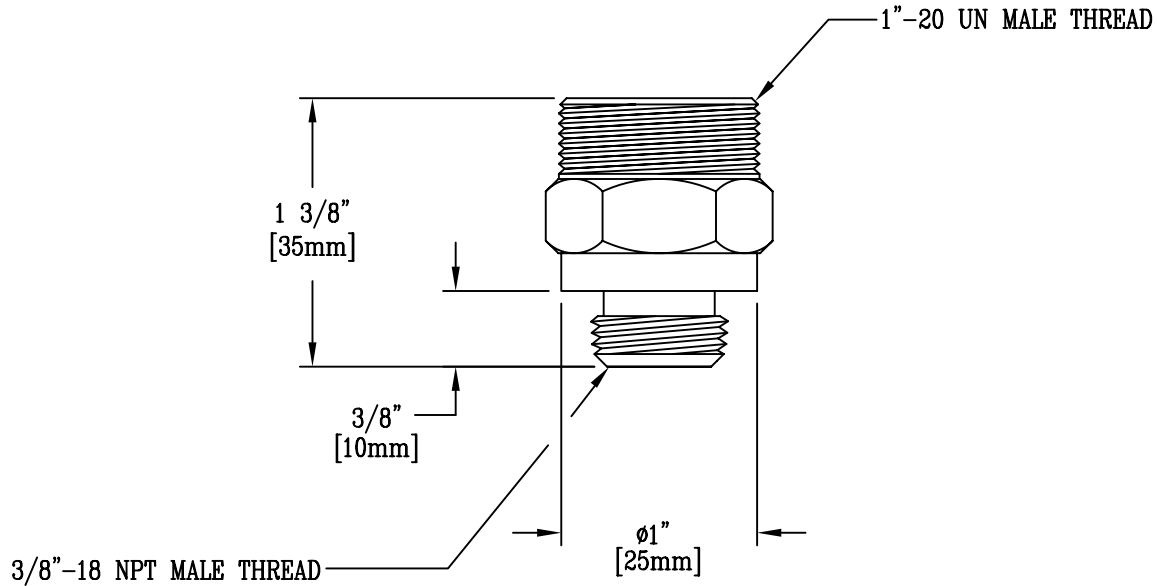
B-0412

Item No.:

Job Name:

Architect/Engineer Approval:

Notes:



Product Description:

1" - 20 UN MALE THREAD x 3/8" - 18 NPT MALE  
 THREAD RIGID TO SWIVEL ADAPTER PIECE

Drawn:

KJG

Approved

JHB

Checked

DHL

Scale:

1' = 1'

Date:

11/11/08