

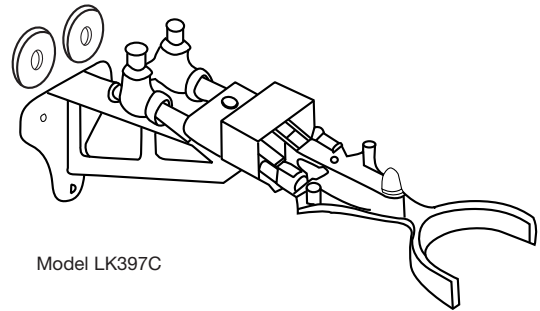
**Knee Operated Valve
Model LK397C**



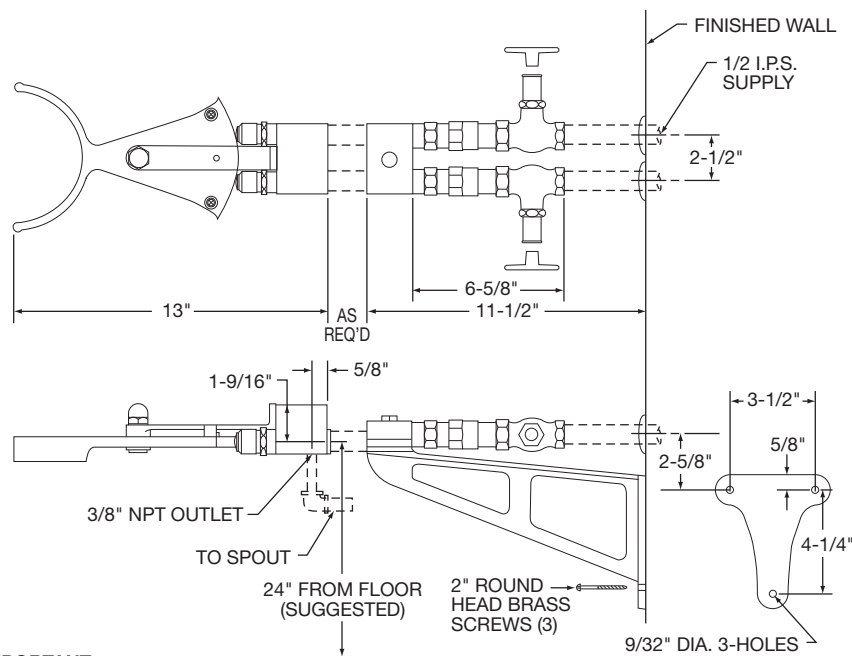
SPECIFICATIONS

GENERAL

LK397C Chrome plated, wall mounted, knee operated valve, 1/2" female I.P.S. inlets and 3/8" I.P.S. spout outlet, with enameled iron wall bracket and mounting package. Mounting package includes (2) stops, (2) valves and (2) wall flanges. Ship. Wt. 14 lbs.



Model LK397C



IMPORTANT:
ROUGH-IN DIMENSIONS
MAY VARY ±1/4"

ELKAY FAUCET/WATER DISPENSERS LIMITED WARRANTY

Elkay warrants its faucet and water dispensers to be free of defects in workmanship and material for a period of one year from the date of purchase. Replacement parts are available from Elkay for a nominal charge. Upon return of a defective part to Elkay during the warranty period with written notice of the claimed defect, Elkay will refund the replacement charge.

WASTE FITTINGS AND ACCESSORIES ARE NOT WARRANTED; OTHER WARRANTY CONDITIONS:

Our warranty does not cover product failure caused by abusive treatment, misuse, or damage due to handling or faulty installations. This warranty is extended only to the original consumer purchaser of the product. This warranty does not cover shipping costs, labor costs, or any other charges for such items as installation or replacement of the sink, diagnosis or replacement of any faucet or component part, or any other expense or loss.

ALL INCIDENTAL OR CONSEQUENTIAL DAMAGES ARE SPECIFICALLY EXCLUDED. NO ADDITIONAL WARRANTIES, EXPRESS OR IMPLIED, ARE GIVEN. ANY IMPLIED WARRANTY, INCLUDING ONE OF MERCHANTABILITY OR FITNESS FOR A PARTICULAR PURPOSE, IS LIMITED TO THE DURATION OF THIS WRITTEN WARRANTY.

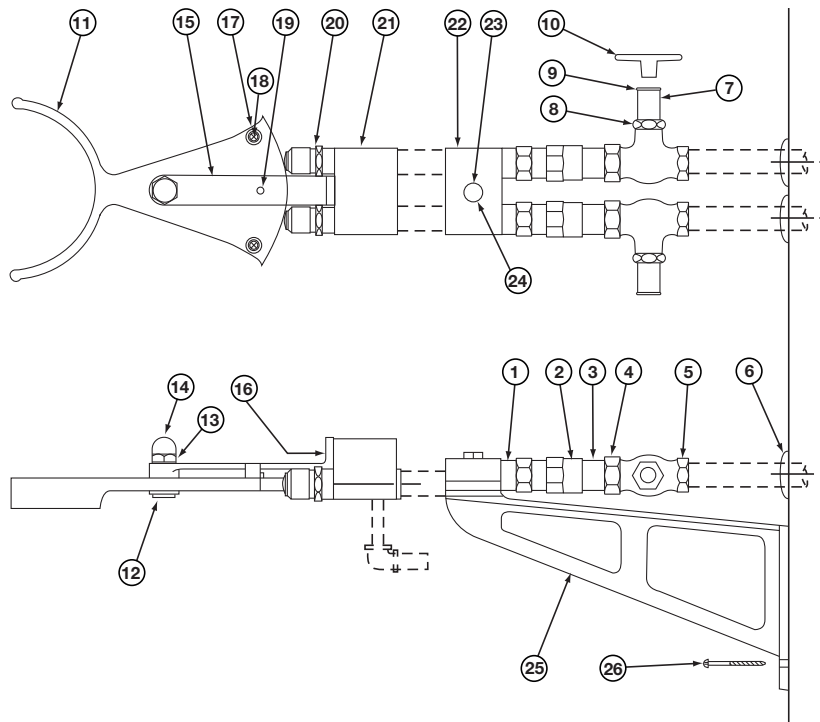
Some states do not allow the exclusion or limitation of incidental or consequential damages or limitations on how long an implied warranty lasts, so the above limitations or exclusions may not apply to you.

This warranty gives you specific legal rights, and you may also have other rights which vary from state to state.

TO OBTAIN SERVICE UNDER WARRANTY

- Write to: Elkay Manufacturing Company
Attention: Consumer Service
2222 Camden Court
Oak Brook, Illinois 60523
- Include a letter containing the following information:
 - Date of purchase and installation
 - Description of nature of defect
 - Model number or description of model and/or component part if possible.

PARTS LIST



Item No.	No. Required	Part No.	Description
1	2	72001266	Coupling
2	2	72001267	Stedi-Flo
3	2	72001268	Tailpiece
4	2	72001269	Coupling Nut
5	2	72001273	Stop Body
6	2	72001371	1/2" Wall Flange
7	2	72001271	Compression Unit
8	2	72001272	Cap
N/S	2	72000555	Gasket
9	2	72001270	Button
10	1	72000713	Tee Handle Loose
11	1	72001255	Lever
12	1	72001256	Bolt
13	1	72001257	Washer
14	1	72001258	Acorn Nut
15	1	72001259	Bracket
16	2	72001260	Bracket Screws
17	2	72001261	Bumper
18	2	72001262	Screw
19	1	72001263	Leveling Screw
20	2	72001264	Operating Unit
21	1	72001265	Body
22	1	72001275	Clamp
23	1	72001276	Bolt
24	1	72001257	Washer
25	1	72001277	Bracket
26	3	72001278	Wood Screw