

**Single-Lever Kitchen Faucet
Model LKE4102****FEATURES**

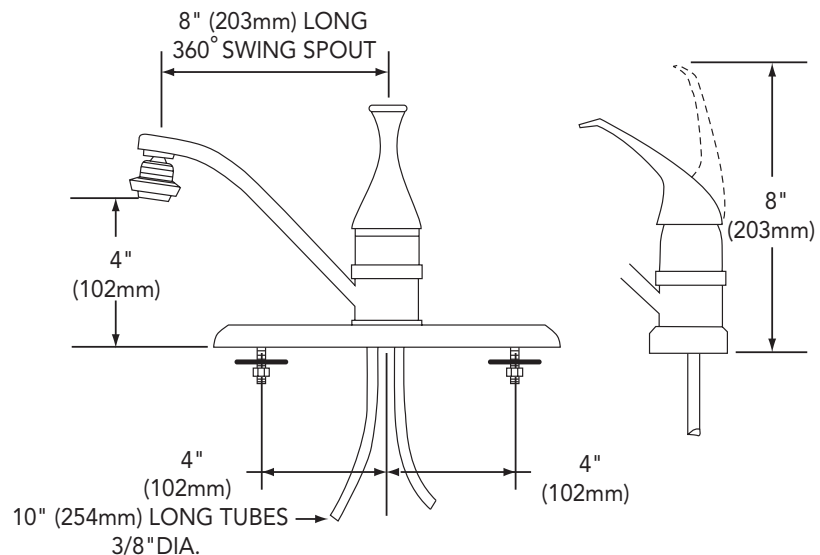
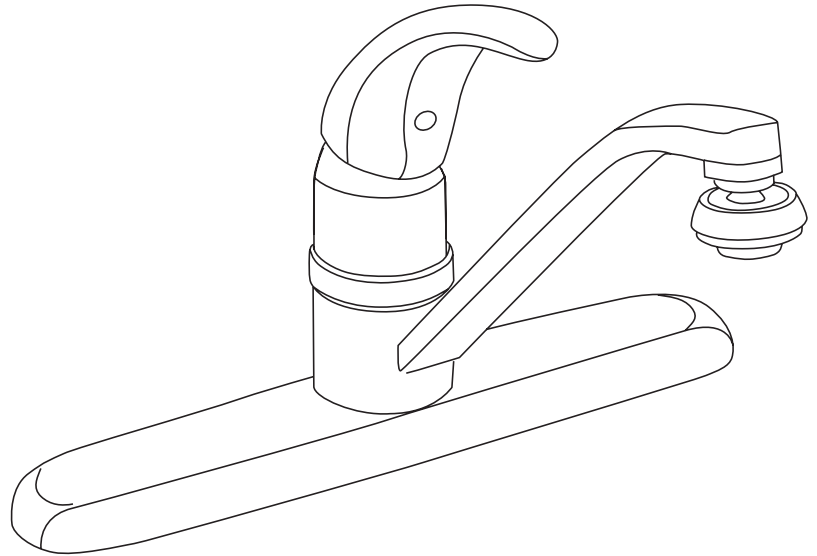
- Three hole, single-lever top mount kitchen faucet
 - Three 1-1/2" (38.8mm) diameter faucet holes required
 - Maximum counter top thickness is 1" (25.4mm)
- Temperature and flow controlled by one movement of the single-lever handle
- Tubular, 360° swing spout with restricted flow swivel spray aerator and brass escutcheon
- Highly polished, chrome plated finish
- Removable cartridge
- 3/8" (10mm) O.D.; 10" (254mm) long; copper tube connections
- Ship Wt. 3-1/2 lbs. (1.6Kg)
- Maximum flow rate
 - 2.5 GPM/9.5 L/min at 80 P.S.I.G.
 - 2.2 GPM/8.3 L/min at 60 P.S.I.G.

WARRANTY

- Limited Lifetime

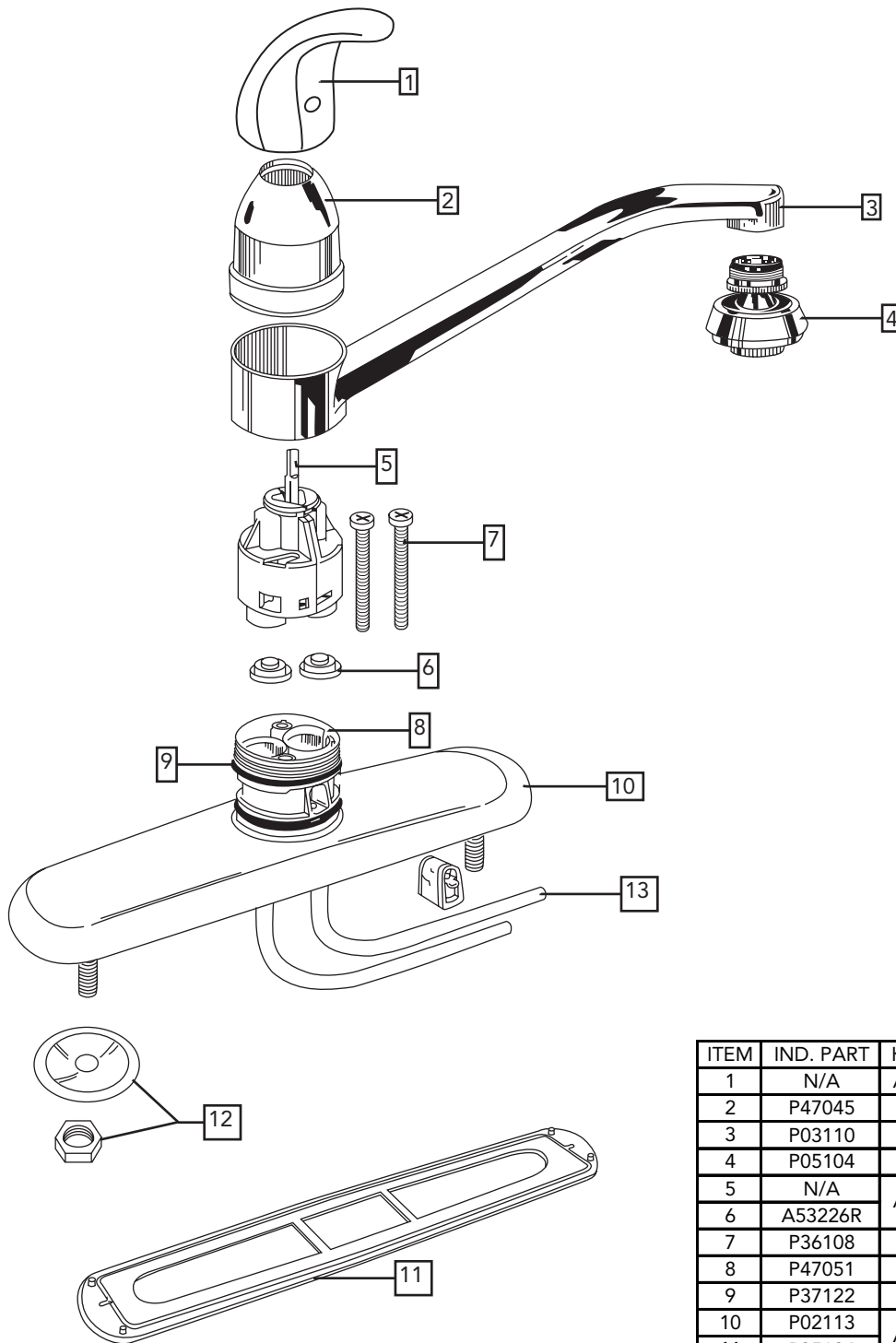
COMPLIES WITH:

- ADA
- ANSI/NSF61 - Certified
- ASME A112.18.1/CSA B125.1
- CA AB1953/VT S152



SEE OTHER SIDE FOR REPLACEMENT PARTS

**Single-Lever Kitchen Faucet
Model LKE4102**



ITEM	IND. PART	KIT PART	DESCRIPTION
1	N/A	A53080R	HANDLE ASSEMBLY
2	P47045	N/A	DOMES
3	P03110	N/A	SPOUT ASSEMBLY
4	P05104	N/A	AERATOR
5	N/A	A52399R	CARTRIDGE
6	A53226R		
7	P36108	N/A	SCREW
8	P47051	N/A	HOUSING
9	P37122	N/A	O-RING
10	P02113	A52401R	ESCUTCHEON ASSEMBLY
11	P35124		
12	P35101	N/A	MOUNTING HARDWARE
13	P47017	N/A	BASE