

## SENSORFLO®

### AC Powered Lavatory Faucet

**S-8800**  
**S-8801**



**S-8810**  
**S-8811**



**S-8820**  
**S-8821**



#### GENERAL SPECIFICATION

Polished chrome plated. Solenoid with built-in filter. UL/CSA approved transformer 120 VAC to 12 VDC with waterproof connectors. Spout consists of all metal chassis and removable cover. Vandal-resistant 60-second time out feature. Water conserving vandal-resistant flow control reduces flow to 2.2 gpm/8.4 lpm. To meet existing ASME A112.18.1/CSA B125.1 standard.

NOTE: Stainless steel flexible supply hose(s), 3/8" compression, to supply stop(s) not included, see options below.

**S-8800**

Single basin, low profile faucet.

**S-8801**

Single basin, low profile faucet, under counter mechanical mixer with built-in backflow check valves.

**S-8810**

Low profile faucet with 4" deck plate.

**S-8811**

Low profile faucet with 4" deck plate, under counter mechanical mixer with built-in backflow check valves.

**S-8820**

Low profile faucet with 8" deck plate.

**S-8821**

Low profile faucet with 8" deck plate, under counter mechanical mixer with built-in backflow check valves.

#### OPTIONS

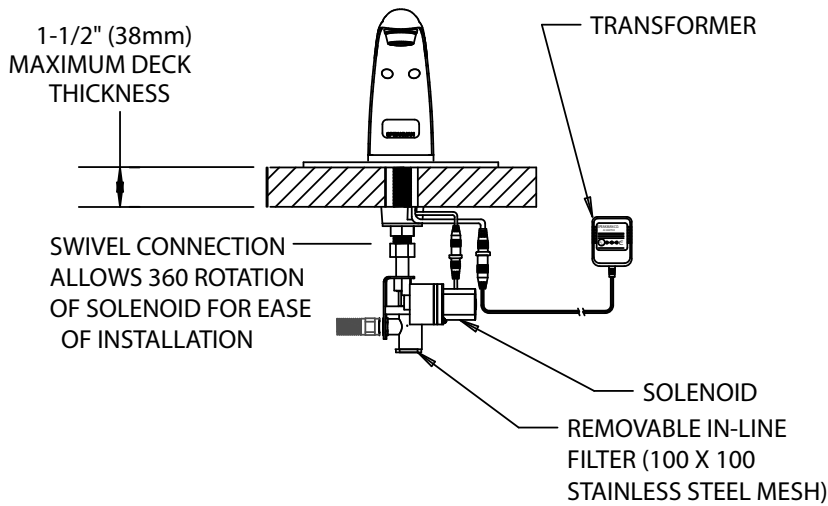
SUFFIX	DESCRIPTION
<input type="checkbox"/> BO	0.5 gpm flow control, vandal-resistant
<input type="checkbox"/> CA**	No lead for CA AB1953 compliance
<input type="checkbox"/> GB	1.5 gpm flow control, vandal-resistant
<input type="checkbox"/> HS	Two (2) stainless steel flexible supply hoses to supply stops
<input type="checkbox"/> HTS	One (1) stainless steel hose for tempered water systems (S-8800, S-8810, & S-8820 only)
<input type="checkbox"/> LF	2.2 gpm laminar flow control outlet
<input type="checkbox"/> LT	Less transformer
<input type="checkbox"/> PVD	Polished brass PVD finish
<input type="checkbox"/> TMV	Under counter thermostatic mixing valve (S-8800, S-8810, & S-8820 only)
<input type="checkbox"/> VRS	Vandal-resistant screws for removable cover and custom wrench

\*\* The following options are not available with the "CA" option: HS (Hose & Spray), SO, TWI, VB6, VB8, ST, SW, & TMV.

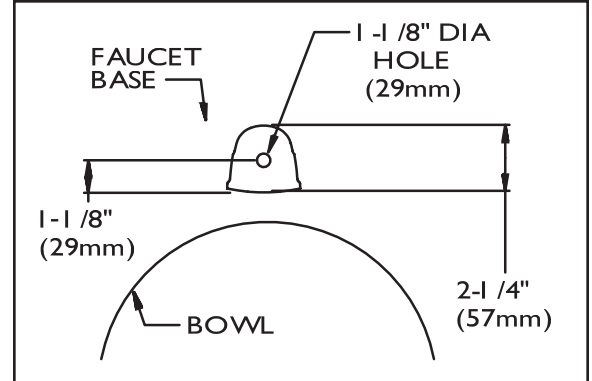
This space for Architect/Engineer approval.



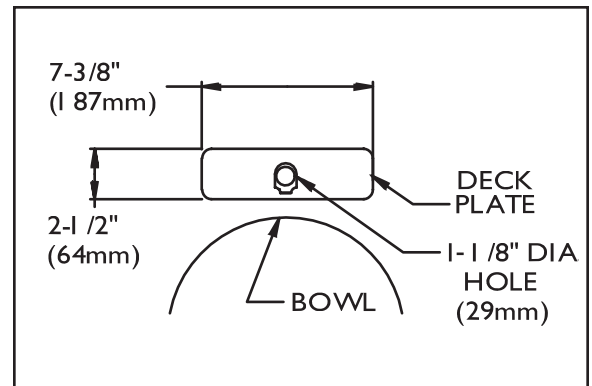
## ROUGH-INS



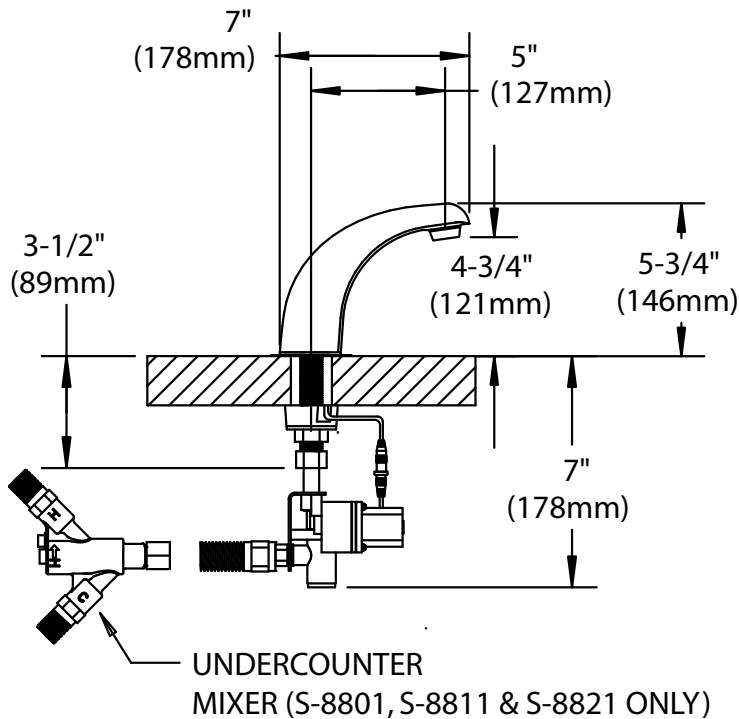
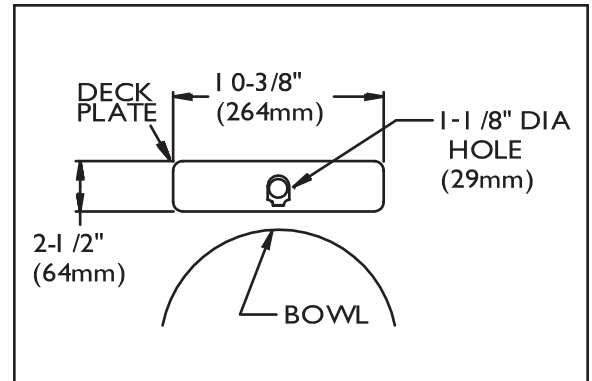
### S-8800 S-8801



### S-8810 S-8811



### S-8820 S-8821



NOTE: Position faucet as close to the edge of the sink as possible. Ensure adequate clearance for wire protector, wires, washers and nut. Unless otherwise specified, all inlets are 3/8" compression with male threads. Unless otherwise specified, all dimensions are in inches and are subject to change without notice.