

COMMANDER®

S-3551



S-3561-LD



Single Lever Faucet

GENERAL SPECIFICATION

Polished chrome plated 4" centerset single lever faucet. All metal shell and belly plate. Long-life ceramic cartridge. Adjustable temperature limit and flow control. Water conserving flow control reduces flow to 2.2 gpm/8.4 lpm. Copper tube inlets with 1/2" compression male threads. Meets ASME A112.18.1/CSA B125.1 and NSF61.

S-3551

Single lever faucet with solid brass 1-1/4" pop-up drain.

S-3561

Single lever faucet. Strainer drain.

S-3561-LD

Single lever faucet. No drain assembly.

OPTIONS

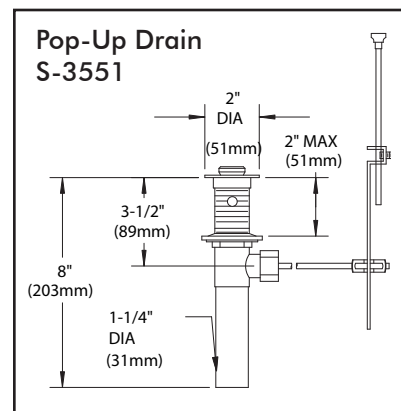
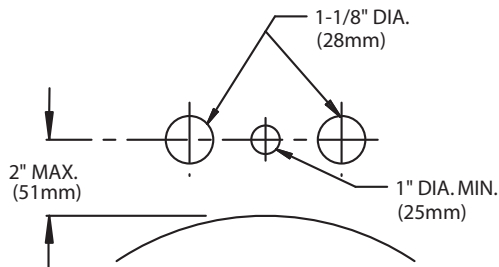
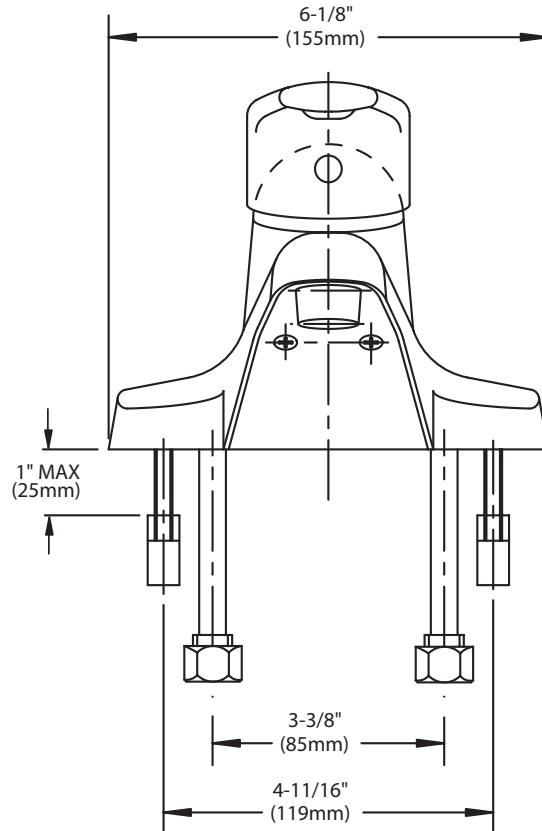
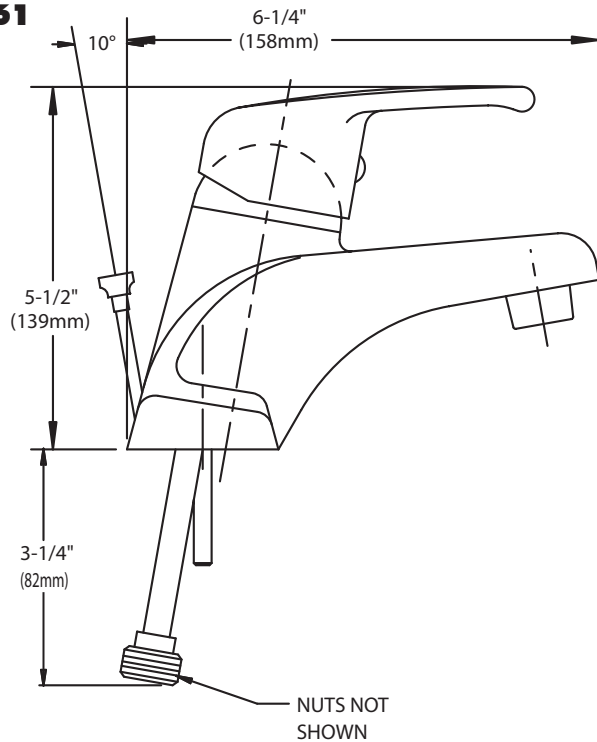
SUFFIX	DESCRIPTION
<input type="checkbox"/> ADA	6" single lever handle
<input type="checkbox"/> BO	0.5 gpm flow control, vandal-resistant
<input type="checkbox"/> GB	1.5 gpm flow control, vandal-resistant
<input type="checkbox"/> LF	2.2 gpm laminar flow control outlet, vandal-resistant
<input type="checkbox"/> VR	2.2 aerated flow control, vandal-resistant

 This space for Architect/Engineer approval.



ROUGH-INS

S-3551
S-3561-LD
S-3561



NOTE: All dimensions are in inches (millimeters) unless otherwise specified and are subject to change without notice. Lavatory inlets are sized for coupling connections. Unless otherwise specified, all inlets are 1/2" NPSM.