

S-4110



Drinking Faucet

S-4110

Chrome plated self-closing drinking faucet. Lever operated solid brass valve. Adjustable restrictor limits the flow through the faucet. Meets ADA, ASME, A112.18.1/CSA B125.1 and NSF 61.

S-4125



EASY-PUSH® Metering Lavatory Fitting

S-4125/Plain

Polished chrome plated all brass metering wash-up fitting with rigid shank. Angled integral brass spout measures 3-5/8" from center of inlet to center of outlet. Easy-Push handle with brass yokes. Concealed cycle adjustment without shutting off water supply. Non-hammering operating unit protected by monel mesh screens. Vandal-resistant standard. Water conserving device reduces flow to .25 gpc/.946 lpc. Meets A112.18.1/CSA B125.1.

S-4126/HOT

S-4127/COLD

Easy-Push metering faucet cycle times will vary according to local water temperatures and pressure.

OPTIONS FOR S-4125, S-4126 & S-4127 ONLY

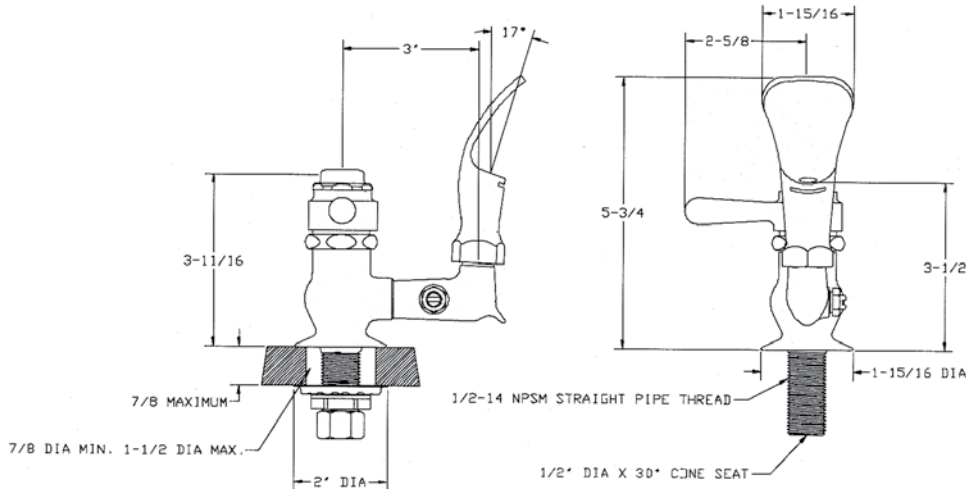
SUFFIX	DESCRIPTION
<input type="checkbox"/> BO	0.5 gpm flow control, vandal-resistant
<input type="checkbox"/> GB	1.5 gpm flow control, vandal-resistant
<input type="checkbox"/> HS	Two (2) stainless steel supply hoses (with UCM only)
<input type="checkbox"/> LF	2.2 gpm laminar flow control outlet
<input type="checkbox"/> UCM	Under-counter mechanical mixer
<input type="checkbox"/> 4DP	4" deck plate

This space for Architect/Engineer approval.

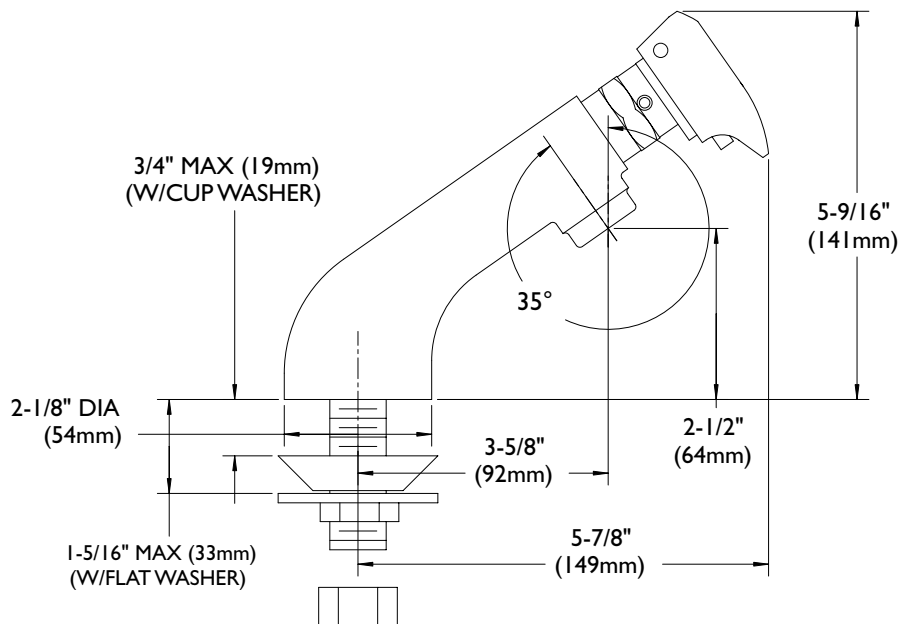


ROUGH-INS

S-4110



S-4125 S-4126 S-4127



NOTE: All dimensions are in inches (millimeters) unless otherwise specified and are subject to change without notice. Inlet is sized for either coupling or sweat connections. Unless otherwise specified, inlet is 1/2" NPSM.