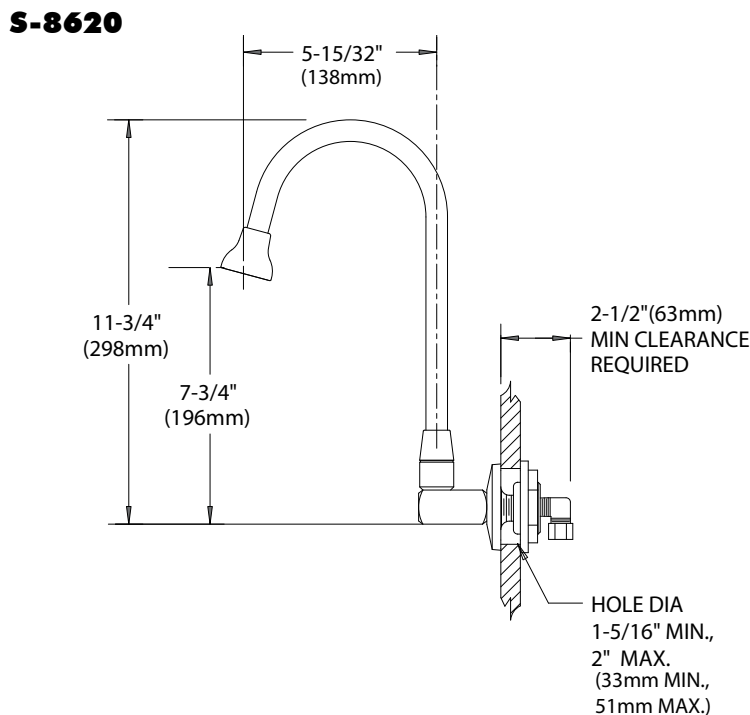
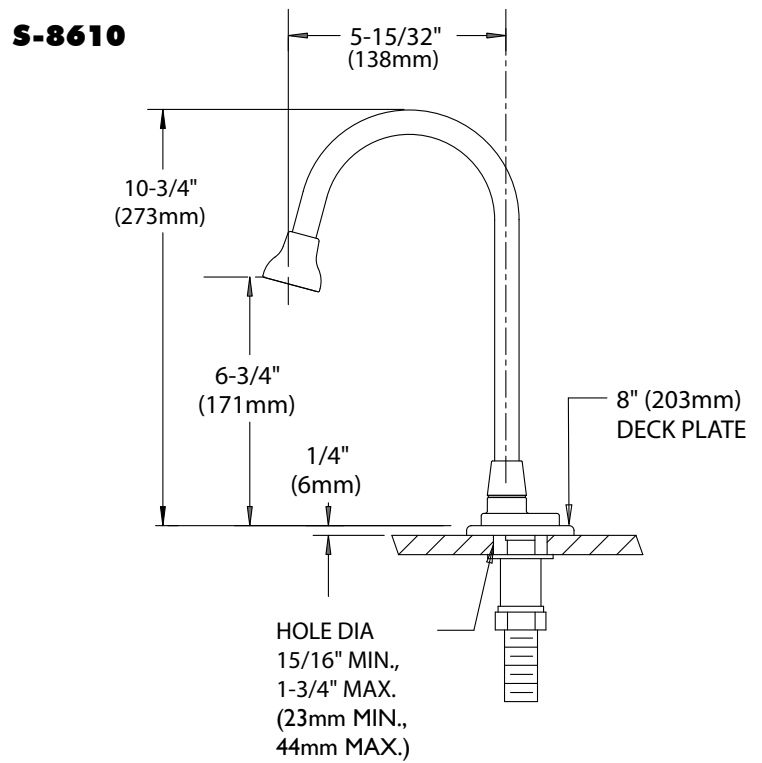
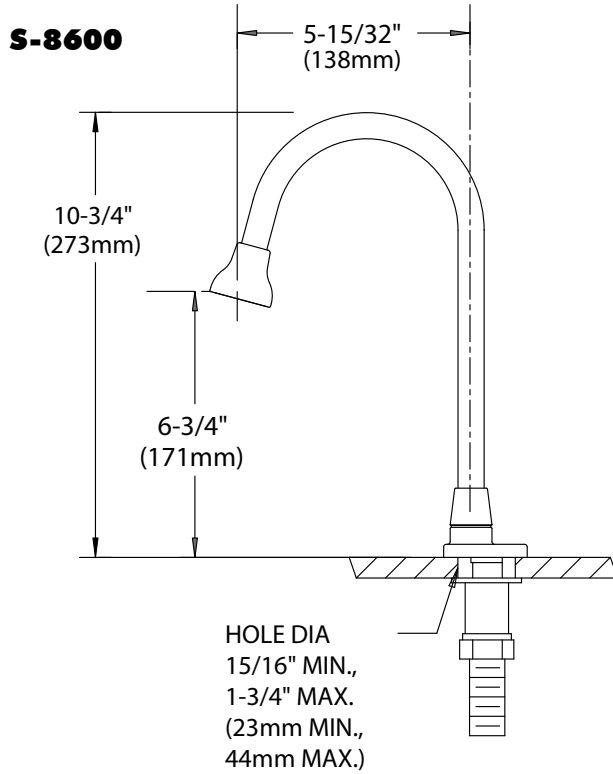


ROUGH-INS



NOTE: All dimensions are in inches unless otherwise specified and are subject to change without notice. All hose (not shown) inlets are 3/8 compression with female threads