



# AquaDesign

## Pedestal Mounted Drinking Fountain

### SUGGESTED SPECIFICATIONS

Model A7F1500L is a pedestal mounted, vandal resistant round drinking fountain made from an 18 gage, 304 stainless steel bowl mounted into a green powder coated heavy duty steel pipe pedestal. Unit shall be activated by a self-closing lever operated valve. Bubbler shall be polished chrome plated brass with a non-squirt feature and operate on water pressure range of 20-105 psig. Unit shall adhere to ANSI/NSF 61, Section 9.

**Standard Model:**  
A7F1500L



### STANDARD FEATURES

- Resistant to sunlight, heat, moisture and wear
- 18 gage, 304 stainless steel bowl
- Heavy 1-1/4" IPS steel pipe, powder coated
- Polished chrome plated brass, anti-rotation non-squirt bubbler



Member of  
U.S. Green  
Building  
Council



Recyclable  
Product



Water  
Conserving  
Product

### OPTIONAL ACCESSORIES (additional costs)

- CH30 Child height, 30" bubbler height
- "P" Push button polished chrome plated brass bubbler (Use model A7F1500P)
- "6" Firehouse red powder coated finish (Use model A7F1600L)
- "7" Alpine blue powder coated finish (Use model A7F1700L)

*Custom color finishes available upon request*

Acorn Aqua™ assumes no responsibility for use of void or suspended data. © Copyright 2009 Acorn Aqua™, City of Industry, CA, A Division of Acorn Engineering Company. Please visit [www.acornaqua.com](http://www.acornaqua.com) for most current specifications.

Submittal # **A7F1500L**  
[Sec. D] Rev. D 8/1/09

COMPLIES WITH  
**STANDARDS**



ANSI / NSF 61.9



C



Member of Acorn  
Family of Companies

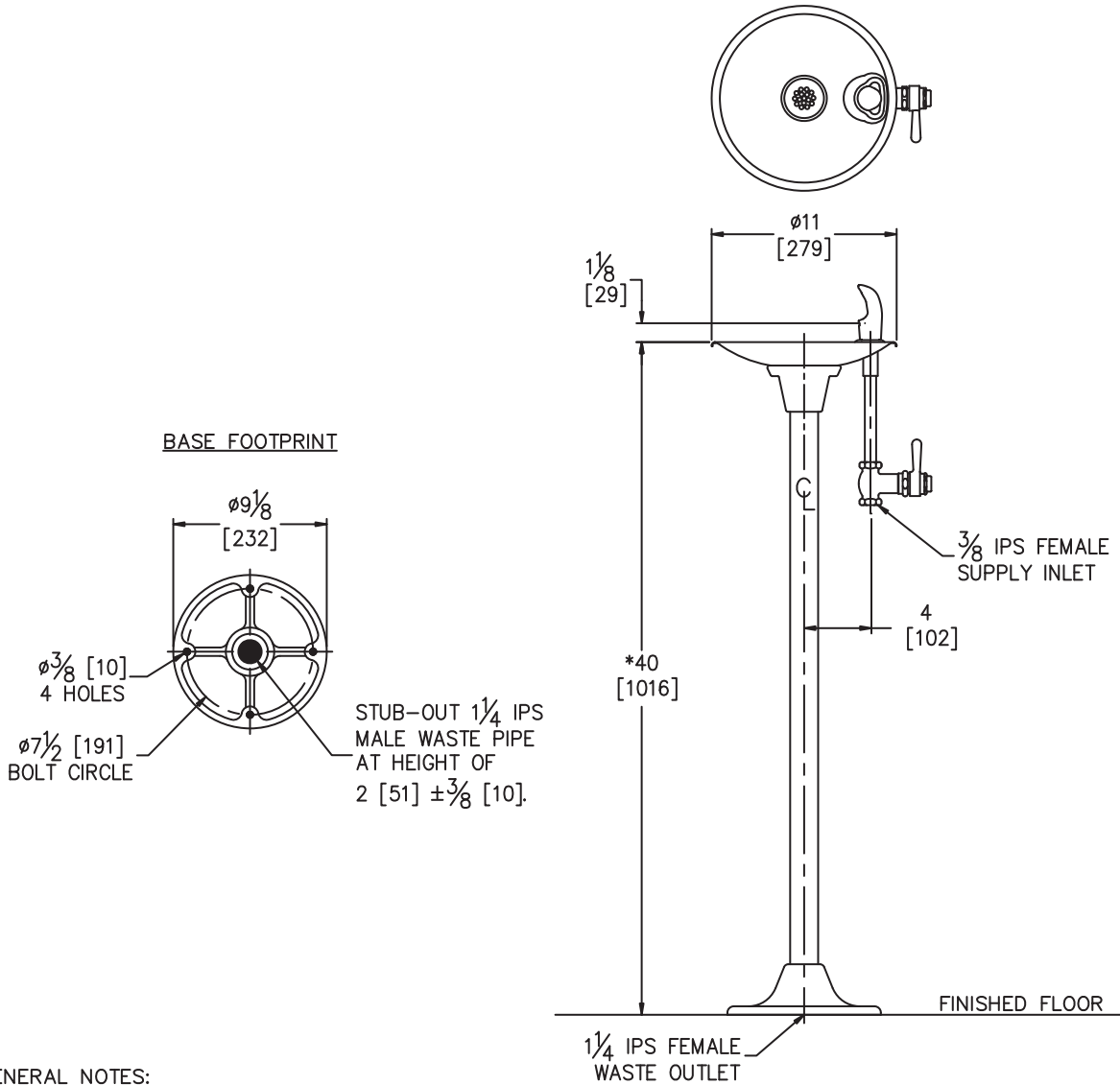
ACORN AQUA  
15125 Proctor Avenue  
City of Industry, CA  
91746 U.S.A.  
Phone 800-591-9360  
626-336-4561  
Fax 626-855-4894  
[www.acornaqua.com](http://www.acornaqua.com)



TECHNICAL  
**DIMENSIONS**

All dimensions are nominal and subject to manufacturer's change without notice. Acorn Aqua™ assumes no responsibility for use of void or suspended data. © 2009 Acorn Aqua™, a Division of Acorn Engineering Company. Please visit [www.acornaqua.com](http://www.acornaqua.com) for most current specifications.

☐ **Standard Model:**  
A7F1500L



**GENERAL NOTES:**

1. ALL DIMENSIONS ARE IN INCHES [MM].
- \*2. STANDARD ADULT HEIGHT MODEL SHOWN. OPTIONAL -CH30 CHILD HEIGHT MODEL AVAILABLE.
3. STOP VALVE AND UNION NOT PROVIDED.

AquaDesign Pedestal Mounted Drinking Fountain

Rough-in # **A7F1500L** Rev. B 8/1/09

*Five Year Limited Warranty- (Continental United States and Canada Only) The following components are warranted for five years: Compressor, Condenser Coil and Refrigeration Coil. The following components shall only be warranted for a period of one year: Evaporator Can Assembly, Thermostat, Fan Motor, Cartridge, Push Buttons, Compressor Starting Relay/Overload/Capacitor and Activation Linkage. Other parts are warranted for one (1) year from date of installation.*

*Limited Export Warranty- One (1) year on parts only.*

SELECTION SUMMARY  
& APPROVAL FOR  
MANUFACTURING

Company \_\_\_\_\_

Model Number & Options \_\_\_\_\_ Quantity \_\_\_\_\_

Contact \_\_\_\_\_ Title \_\_\_\_\_

Signature \_\_\_\_\_  
(Approval for Manufacturing)

Date \_\_\_\_\_



**800-591-9360**  
626-336-4561  
[www.acornaqua.com](http://www.acornaqua.com)