

CHICAGO FAUCETS
 a Geberit company

2100 South Clearwater Drive
 Des Plaines, IL 60018
 Phone: 847-803-5000
 Fax: 847-803-5454
 www.chicagofaucets.com

REPAIR PARTS

BY: JAR DATE: 10-13-11
 CHK: *JAR* REV:

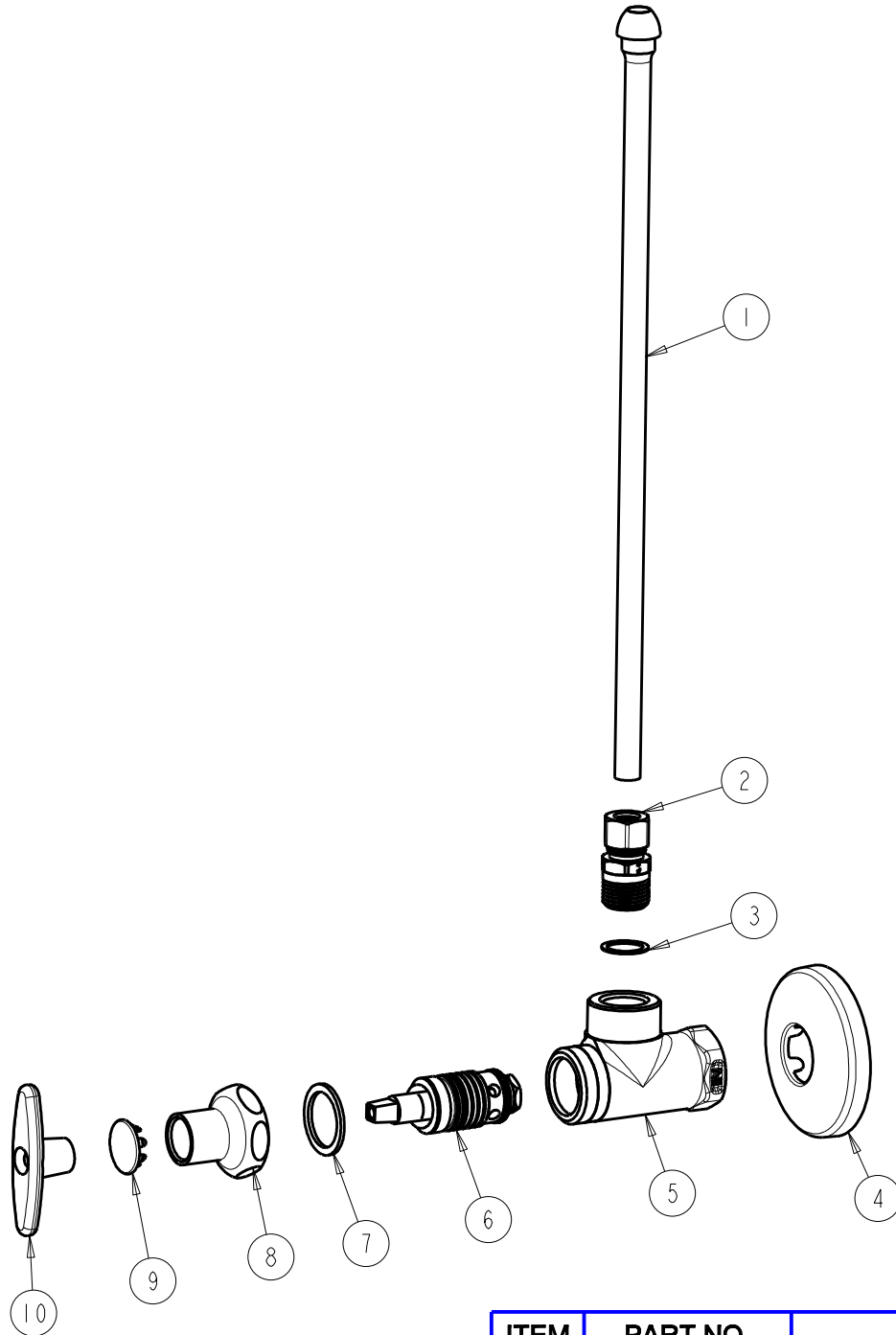
FITTING NO.

1017-MMABCP

SUBMITTED MODEL NO.

ITEM NO.

FOR TECHNICAL ASSISTANCE
 1-800-TEC-TRUE (1-800-832-8783)



ITEM	PART NO.	DESCRIPTION
1	1016-001JKRCF	FLEXIBLE TUBE 3/8 X 11-7/8
2	1022-007JKABRCF	COMP. FITTING 3/8 TUBE X 3/8 NPT
3	250-027JKRBF	BRASS WASHER
4	749-016JKCP	FLANGE
5	-----	VALVE BODY (NOT SOLD SEPERATELY)
6	AB217-XMLHJKNF	SLO-COMP. METAL/METAL CARTRIDGE
7	1-343JKNF	GASKET
8	1-246JKCP	NUT, CAP LOOSE KEY 1-1/8-18 UNEF
9	1-144JKCP	BUTTON
10	293-006JKRCF	TEE HANDLE & SCREW