

CHICAGO FAUCETS
a Geberit company

2100 South Clearwater Drive
Des Plaines, IL 60018
Phone: 847-803-5000
Fax: 847-803-5454
www.chicagofaucets.com

REPAIR PARTS

BY: JAR DATE: 10-23-00
CHK: [Signature] REV: 09-17-08

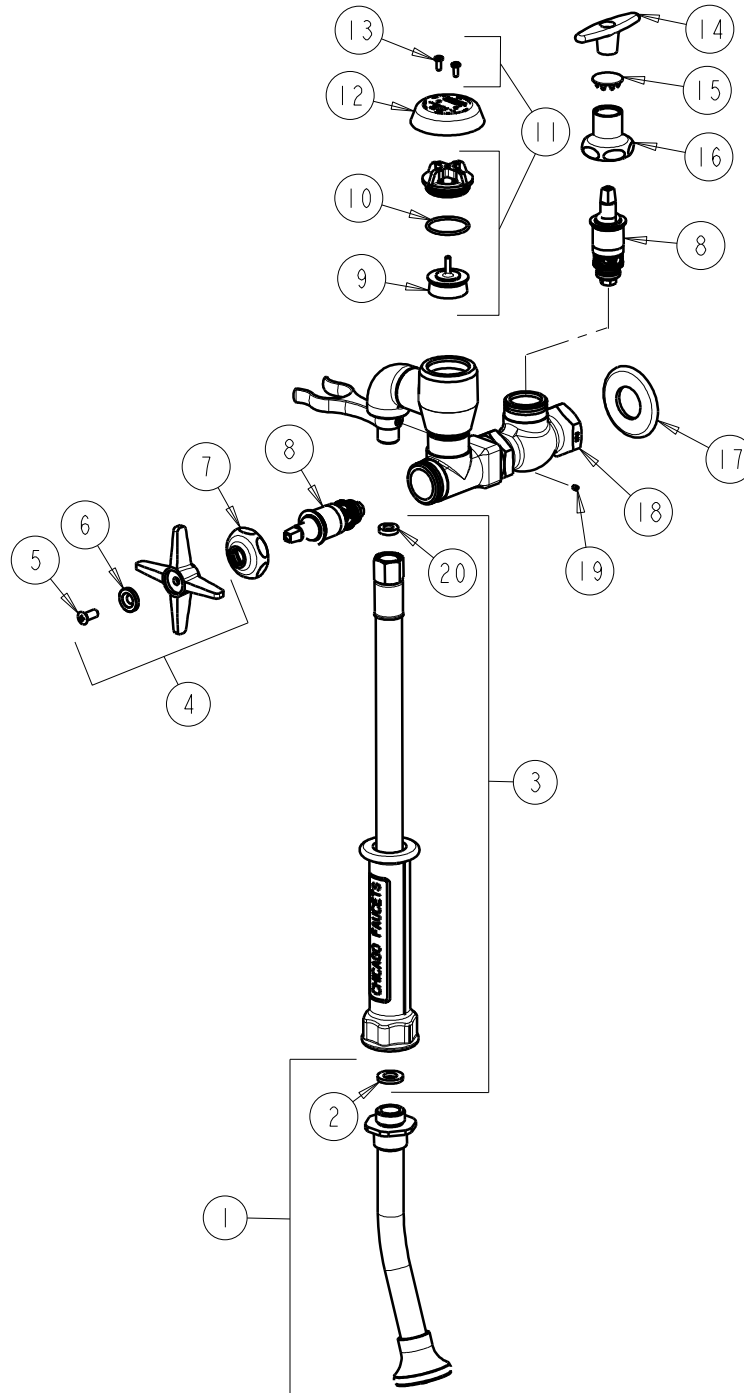
FITTING NO.

809-CP

SUBMITTED MODEL NO.

ITEM NO.

FOR TECHNICAL ASSISTANCE
1-800-TEC-TRUE (1-800-832-8783)



ITEM	PART NO.	DESCRIPTION	ITEM	PART NO.	DESCRIPTION
1	777-019JKCP	SPRAY, ANGLED NOZZLE W/ WASHER	11	892-202JKNF	VACUUM BREAKER REPAIR KIT
2	919-143JKNF	GASKET, .67 X .35 X .09 (1 PER)	12	892-154JKCP	VACUUM BREAKER COVER
3	739-053JKJNF	HOSE, WHITE VINYL 53" W/ WASHERS	13	333-321JKNF	VACUUM BREAKER TORX SCREW
4	633-COLDJKCP	4-ARM CROSS HANDLE ASSEMBLY	14	293-006JKRCF	HANDLE, TEE INCLUDES SCREW
5	420-010JKRCF	SCREW, 10-32 UNC PH 1/2	15	1-144JKCP	BUTTON
6	633-123JKNF	INDEX BUTTON (BLUE)	16	1-246JKCP	NUT, CAP LOOSE KEY 1-1/8-18 UNEF
7	1-214JKCP	CAP	17	417-019JKCP	FLANGE, 1.94 X .88 X .11
8	217-XTLHJKNF	CARTRIDGE, SLO-COMPRESSION	18	---	VALVE BODY (NOT SOLD SEPARATELY)
9	892-032JKJNF	VACUUM BREAKER DISC ASSEMBLY	19	777-013JKNF	SCREW, SET 6-32 X 1/8
10	80-007JKNF	O-RING	20	739-051JKNF	GASKET, 1/2 X 1/4 X 1/8