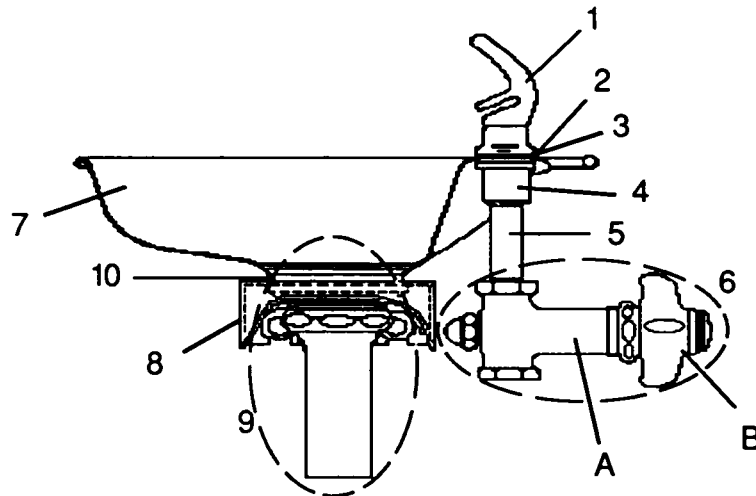


# BRACKET FOUNTAINS

## Model 10200/Volume Regulator



FOUNTAIN 10200 PARTS LIST		
REF NO	PART NUMBER	DESCRIPTION
1	16-03165-08-640	Projector
2	10-03227-40-560	Gasket (2 each)
3	16-06092-08-550	Nipple
4	16-01943-08-820	Projector Connection
5	16-02520-08-640	Nipple
6	60-02255-51-640	Valve and Handle Assembly*
6a	60-07650-51-640	Valve with Regulator Assembly (included in item 6)*
6b	60-01128-51-640	Handle Stem Assembly (included in item 6)*
6c	60-08250-51-550	Stem Repair Kit (for item 6b)*
7	17-07050-42-830	Receptor
8	40-07552-42-830	Wall Bracket
9	60-00379-08-640	Drain Assembly
9a	16-16373-08-640	Drain Plug
9b	16-02705-08-640	Strainer Plate
9c	10-01471-40-560	Drain Gasket
9d	16-03460-08-640	Tailpiece
9e	16-03463-08-640	Slipnut
9f	11-03462-20-550	Locknut
9g	10-03529-40-560	Gasket
10	10-08571-40-740	Gasket

\* Look for detailed schematic of this part in **Detailed Parts Section**

**To order parts, contact your nearest Halsey Taylor wholesaler or representative.**

*Continued product improvement makes specifications subject to change without notice.*

**Halsey Taylor**

P.O. BOX 9001  
OAKBROOK, ILLINOIS 60521