

MODEL 15600 Chiller

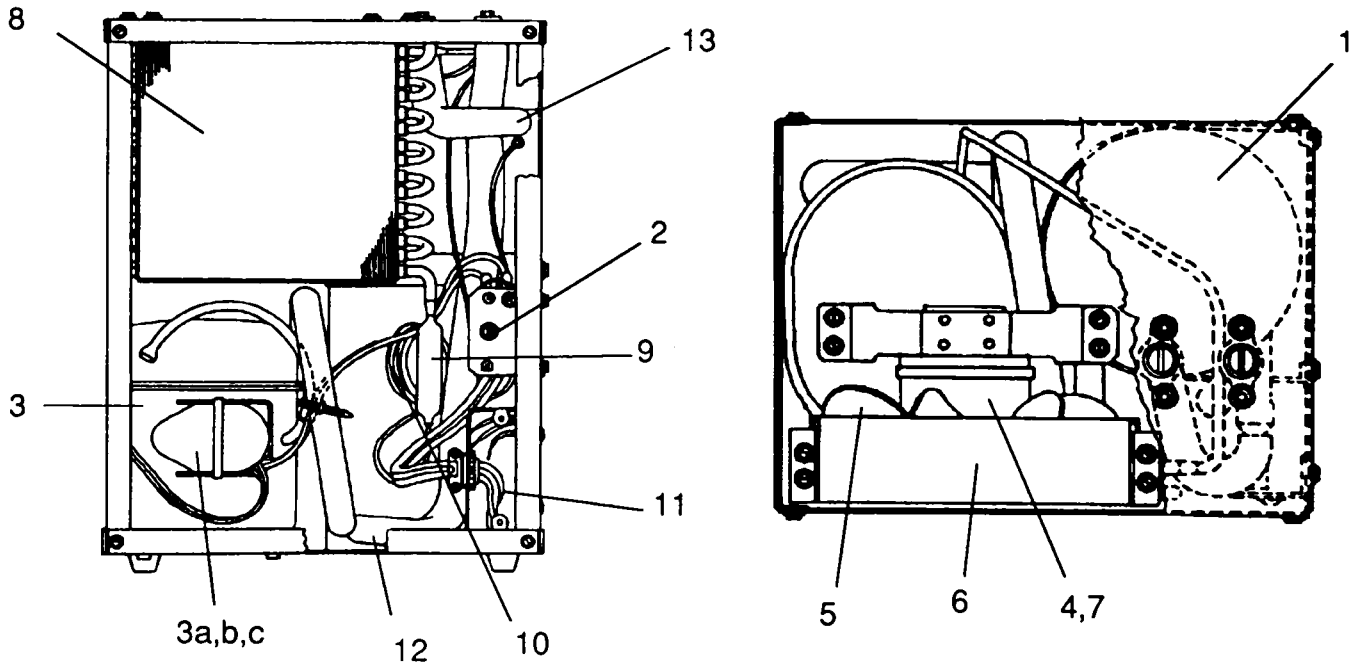
MODEL#	MFG DATE S/N ENDING	COLD WATER CAP*	COMP HP	VOLTAGE ± 10	PH	HZ	TOTAL AMPS	R-12 REFRIG CHARGE*	WATER INLET PSIG
15600	Obsolete	8GPH	1/5	115	1	60	5.6	5.5	20-90

HEIGHT: 17¼"

WIDTH: 13½"

DEPTH: 10¼"

*ARI Ratings: capacity at GPH cooled to 50° with 90°F ambient temperature and 80°F inlet water.



15600 Chiller PART LIST

REF NO.	PART NUMBER	DESCRIPTION
1	60-15519-51-550	Evaporator/Chiller
2	19-42339-51-550	Primary Temperature Control
3	60-15573-51-550	Compressor Assembly
3a	19-14062-51-550	Relay (included in item 3)
3b	19-14061-51-550	Overload (included in item 3)
4	19-15509-51-550	Fan Motor
5	10-15988-43-730	Fan Blade
6	10-15989-09-550	Fan Shroud
7	40-15510-43-730	Fan Bracket
8	19-15514-51-550	Condenser
9	10-10800-51-010	Drier
10	29-15398-51-550	Capillary Tube
11	19-15590-51-550	Wiring Assembly
12	60-15508-51-550	Water Inlet Assembly
13	60-15506-51-550	Water Outlet Assembly

XXX Please specify color when ordering. See Color Chart on page I-A for colors available.

*See Detailed Parts Section for further breakdown.

To order parts, contact your nearest Halsey Taylor wholesaler or representative.

Continued product improvement makes specifications subject to change without notice.

Halsey Taylor.