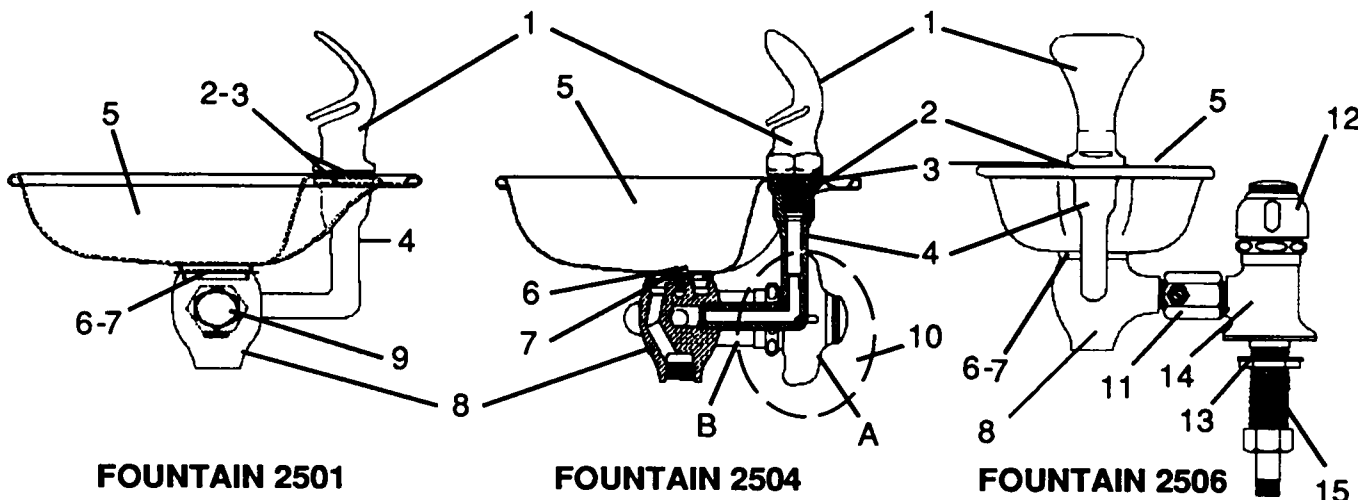


FOUNTAIN ASSEMBLIES

Models 2501, 2504 and 2506



FOUNTAIN 2501, 2504 and 2506 PARTS LIST

REF NO	PART NUMBER	DESCRIPTION	2501	2504	2506
1	16-02297-08-640	Projector	X	X	X
2	16-06092-08-550	Projector Nipple	X	X	X
3	10-03227-40-560	Gasket (2 each)	X	X	X
4	16-07601-08-640	Projector Connection	X	X	X
5	17-07640-42-830	Receptor	X	X	X
6	41-02318-08-640	Drain Plate	X	X	X
7	11-10075-42-590	Drain Plate Screw	X	X	X
8	16-03152-08-640	Fountain Head Body	X		
8	16-03154-08-640	Fountain Head Body		X	X
9	60-08140-51-640	Push Button Assembly*	X		
10	60-02255-51-640	Cross Handle Valve and Regulator*		X	
10a	60-01128-51-640	Cross Handle (included in item 10)*		X	
10b	60-07650-51-640	Regulator (included in item 10)*		X	
10c	11-02240-08-640	Cap Regulator Screw (included in item 10)		X	
11	60-09414-51-640	Service Valve Assembly*	X		
12	60-01166-51-640	Lever Handle Stem Assembly*			X
12a	60-08250-51-550	Stem Repair Kit (for items 10a and 12)*		X	X
13	16-00129-08-640	Nipple		X	X
14	16-03272-08-640	Valve Body			X
15	60-00855-51-640	Tailpiece Assembly			X

* Look for detailed schematic of this part in Detailed Parts Section

To order parts, contact your nearest Halsey Taylor wholesaler or representative.

Continued product improvement makes specifications subject to change without notice.

Halsey Taylor.

P.O. BOX 9001
OAKBROOK, ILLINOIS 60521