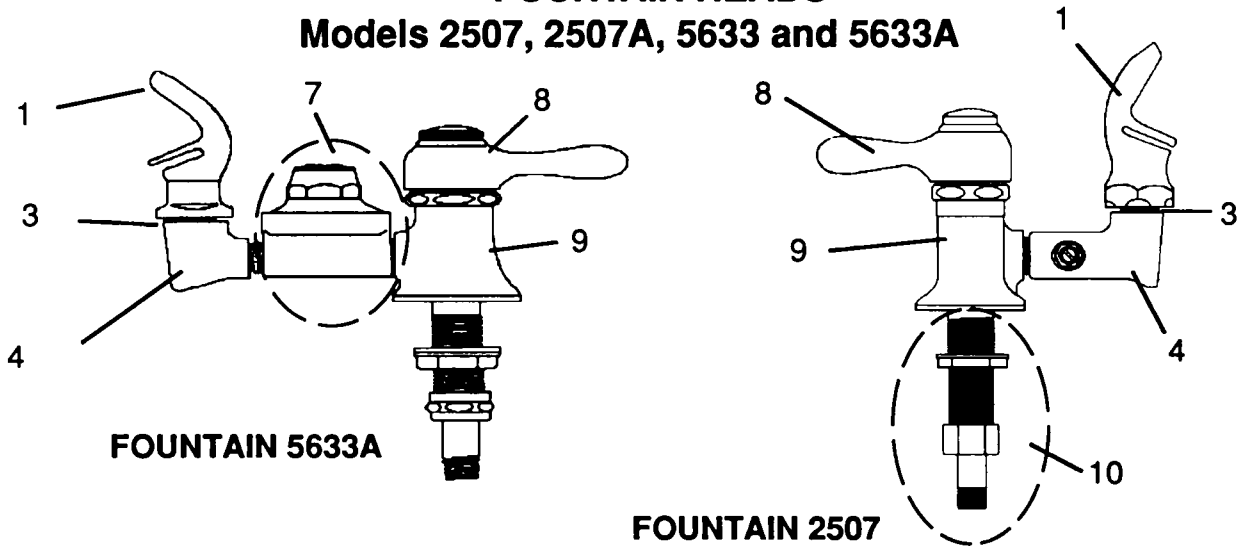


## FOUNTAIN HEADS

### Models 2507, 2507A, 5633 and 5633A



**FOUNTAIN 5633A**

**FOUNTAIN 2507**

### FOUNTAINS 2507, 2507A, 5633 and 5633A PARTS LIST

REF NO	PART NUMBER	DESCRIPTION	2507	2507A OBS	5633 OBS	5633A
1	16-03165-08-640	Projector	X	X		
1	40-09423-08-640	Vandal Proof Projector			X	X
2	11-05449-42-550	Set Screw			X	X
3	16-00129-08-550	Nipple	X	X		X
4	60-07729-51-640	Elbow Extension Assembly	X			
4	41-03181-08-640	Elbow		X		
4	60-09849-51-640	Elbow Assembly			X	
4	40-09847-08-640	Vandal Proof Elbow				X
4a	10-26722-40-560	Packing 2 required (included with 4)	X			
4b	11-02238-08-820	Regulating Screw (included with 4)	X			
4c	41-02239-08-640	Packing Gland (included with 4)	X			
5	11-05449-42-550	Set Screw (2 each)			X	X
6	16-00129-08-640	Nipple			X	X
7	60-01980-51-550	Automatic Regulator*		X		
7	60-01980-51-640	Automatic Regulator*			X	
7a	60-08050-51-550	Regulator Repair Kit (for item 7)*		X	X	
8A	60-01166-51-640	Lever Handle Stem Assembly*	X	X		
8B	60-03508-51-640	Vandal Proof Lever Handle Stem Assembly*			X	X
8a	60-08250-51-550	Stem Repair Kit (for item 8)*	X	X	X	X
8b	11-05449-42-550	Set Screw (included in item 8B)			X	X
9	16-03272-08-640	Valve Body	X	X	X	X
10	60-00855-51-640	Tailpiece Assembly	X	X		
10	16-01658-08-820	Tailpiece			X	X
11	10-06279-40-740	Gasket			X	X
12	11-06107-42-550	Set Screw			X	X
13	11-06048-08-550	Washer			X	X
14	40-06106-43-820	Locknut			X	X
15	10-00450-24-810	Gasket			X	X
16	11-00451-08-550	Hex Nut			X	X
17	16-01657-08-550	Slip Nut			X	X

\* Look for detailed schematic of this part in **Detailed Parts** Section

**To order parts, contact your nearest Halsey Taylor wholesaler or representative.**  
 Continued product improvement makes specifications subject to change without notice.

*Halsey Taylor.*

P.O. BOX 9001  
 OAKBROOK, ILLINOIS 60521