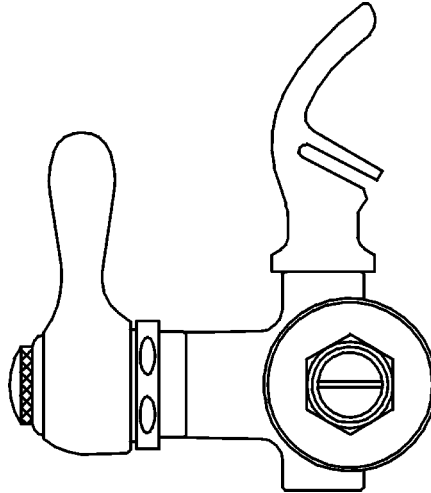


Halsey Taylor Owner's Manual

MODEL 2509 FOUNTAIN HEAD



INSTALLATION

1. This fountain head is to be attached to the end of a 3/8" NPT threaded pipe. The installer shall make sure the connection pipe is properly supported for proper fountain head performance.
 2. Refer to mounting specification drawing for unit size information.
 3. Install shut-off valve between the building water supply and the fountain head. (Shut off valve not furnished). Utilization of a shut-off valve simplifies future service to the fountain head.
- CAUTION: This fountain is rated for inlet water pressure of 20-90 PSI. Should the inlet water supply exceed 90 PSI, a pressure reducing regulator should be used.
4. Turn "ON" water supply and check all connections for leaks.
 5. Adjust bubbler stream height. (See instructions below).

TROUBLE SHOOTING GUIDE

PROJECTOR: If mineral deposits build up in the orifice, they can be removed by using a round file or small diameter wire.

CAUTION: Care must be taken not to damage orifice assembly.

STREAM REGULATOR: Stream height is factory set at 45-50 PSI. If supply pressure varies greatly from this, remove the cap from the bubbler assembly/valve regulator and adjust the screw on the regulator.

Clockwise adjustment will raise stream height and counterclockwise will lower the stream height.

A stream height of 1 1/2" (38mm) is recommended (See Fig. 1)

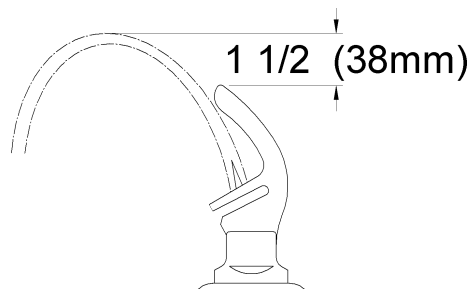
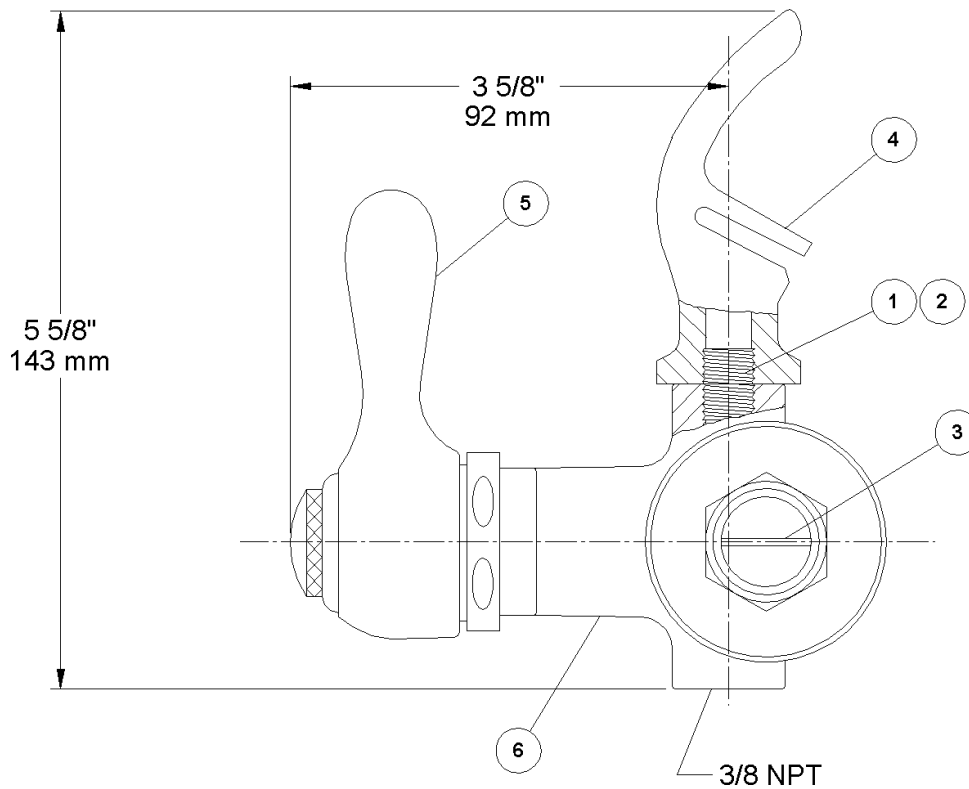


FIG. 1

MOUNTING SPECIFICATIONS



ITEMIZED PARTS LIST

1	A54888	SCREEN
2	15011C	NIPPLE - 3-8
3	160118508640	CAP - BRIGHT
4	160316508640	PROJECTOR
5	600116618640	STEM ASSY W/LEVER
6	600941818640	3/8 AUTO VALVE BODY W/REG

www.DrinkingFountainDoctor.com

800-518-5388

Halsey Taylor®

2222 CAMDEN COURT
OAKBROOK, IL 60523

PRINTED IN U.S.A.
IMPRESO EN LOS
E. E. U. U.
IMPRIMÉ AUX É.-U.