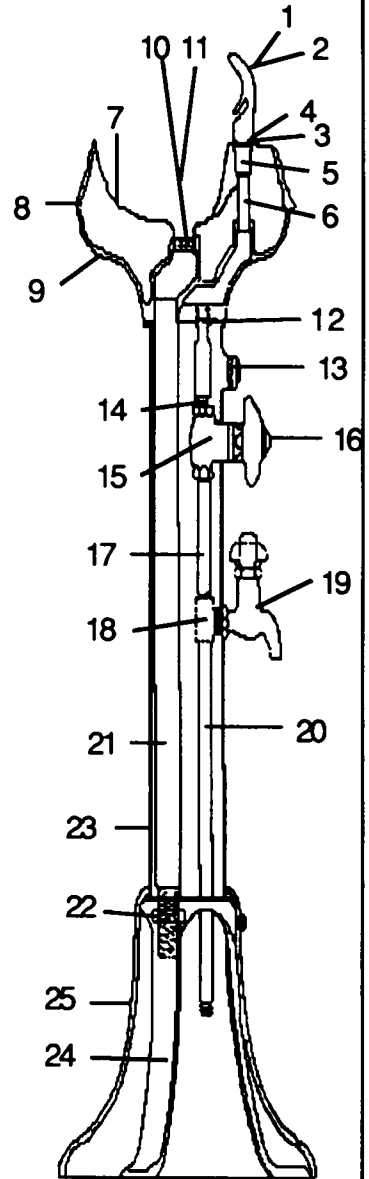


PEDESTAL FOUNTAINS

Models 2520-68S and 4520-68S

FOUNTAINS 2520-68S and 4520-68S PARTS LIST

REF NO	PART NUMBER	DESCRIPTION	2520-68S		4520-68S	
			36" only	30"	36"	36"
1	40-09423-08-640	Vandal Proof Projector	X	X	X	
2	11-05449-42-550	Set Screw	X	X	X	
3	16-06092-08-550	Nipple	X	X	X	
4	10-03227-40-560	Gasket (2 each)	X	X	X	
5	16-01943-08-550	Projector Connection	X	X	X	
6	16-01399-43-730	Nipple	X	X	X	
7	17-07348-42-830	Receptor	X	X	X	
8	40-07877-13-750	Upper Top Casting	X	X	X	
9	40-07878-13-960	Lower Top Casting	X	X	X	
10	10-00232-40-740	Gasket	X	X	X	
11	41-03228-08-640	Drain Plug	X	X	X	
12	16-00154-43-730	Nipple	X	X	X	
13	60-01980-51-640	Automatic Regulator Assembly*	X	X	X	
13a	60-08050-51-550	Regulator Repair Kit (for item 13)*	X	X	X	
14	16-00129-08-550	Nipple	X	X	X	
15	16-00776-08-640	Valve Body	X	X	X	
16	60-01487-51-640	Vandal Proof Cross Handle Stem Assembly*	X	X	X	
16a	60-08250-51-550	Stem Repair Kit* (for item 16)	X	X	X	
17	16-00510-43-730	Nipple	X			
18	40-10091-43-730	Pipe Tee	X			
19	16-03418-51-640	Faucet	X			
20	16-00755-43-730	Pipe 3/8 X 13	X	X		
20	16-00157-43-730	Pipe 3/8 X 18 1/2			X	
21	16-00161-43-740	Waste Pipe	X		X	
21	16-00161-43-730	Waste Pipe		X		
22	11-00162-43-730	Hex Lock Nut	X	X	X	
23	40-09676-43-960	Pedestal Tube	X			
23	40-03514-43-960	Pedestal Tube		X		
23	40-14706-43-960	Pedestal Tube			X	
24	40-00147-43-960	Tripod Base	X	X	X	
25	40-00148-43-960	Base Cover	X	X	X	



* Look for detailed schematic of this part in Detailed Parts Section

To order parts, contact your nearest Halsey Taylor wholesaler or representative.

Continued product improvement makes specifications subject to change without notice.

Halsey Taylor.

P.O. BOX 9001
OAKBROOK, ILLINOIS 60521