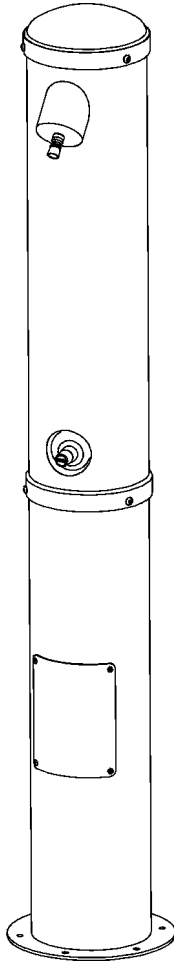


# Halsey Taylor Owners Manual

Model 4450

Single Station Tubular Shower Tower



## INSTALLER

Halsey Taylor Shower Towers are among the easiest to install in the market today. To assure you install these models easily and correctly, PLEASE READ THESE SIMPLE INSTRUCTIONS BEFORE STARTING THE INSTALLATION. CHECK YOUR INSTALLATION FOR COMPLIANCE WITH PLUMBING, ELECTRICAL, AND OTHER APPLICABLE CODES. After installation, leave these instructions with the Fountain for future reference.

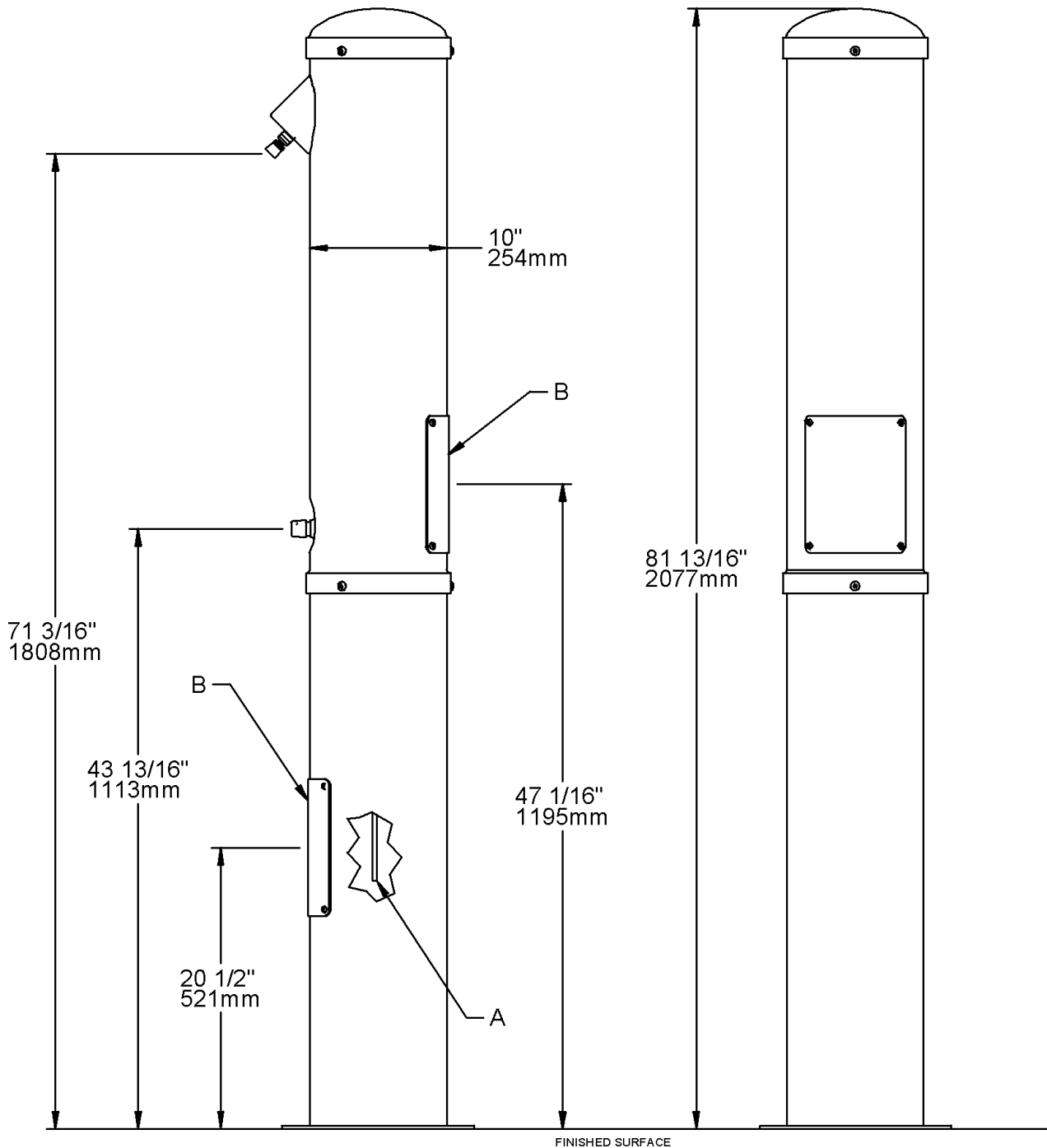
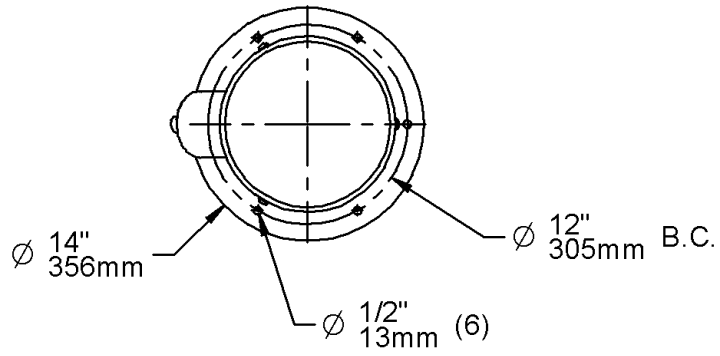
### IMPORTANT

**ALL SERVICE TO BE PERFORMED BY AN AUTHORIZED SERVICE PERSON**

### **IMPORTANT! INSTALLER PLEASE NOTE.**

THE GROUNDING OF ELECTRICAL EQUIPMENT SUCH AS TELEPHONE, COMPUTERS, ETC. TO WATER LINES IS A COMMON PROCEDURE. THIS GROUNDING MAY BE IN THE BUILDING OR MAY OCCUR AWAY FROM THE BUILDING. THIS GROUNDING CAN CAUSE ELECTRICAL FEEDBACK INTO A TOWER, CREATING AN ELECTROLYSIS WHICH CAUSES A METALLIC TASTE OR AN INCREASE IN THE METAL CONTENT OF THE WATER. THIS CONDITION IS AVOIDABLE BY USING THE PROPER MATERIALS AS INDICATED. ANY FITTINGS PROVIDED BY THE INSTALLER SHOULD BE MADE OF PLASTIC TO ELECTRICALLY ISOLATE THE TOWER FROM THE BUILDING PLUMBING SYSTEM.

4450 SHOWER TOWER



**LEGEND**

- A = 3/8" O.D. UNPLATED COPPER TUBE CONNECT - SHUT OFF VALVE BY OTHERS
- B = ACCESS PANEL ( 8" X 10" )

## 4450 SHOWER TOWER

1. This shower tower is to be mounted on a smooth, flat, finished surface with adequate support structure. NOTE: Mounting structure must be capable of supporting 300 lb. load on fountain.
2. Refer to rough-in for plumbing.
3. Install shut-off valve on water supply, (valve not furnished).
4. Locate and install tower base using 3/8" minimum screws or bolts, (screws or bolts not furnished).

**CAUTION!** Installation of upper tower will require two or more persons, align bolt

holes of upper tower to lower tower and secure with three (3) 3/8" screws provided (Torque to 35 ft. lbs.).

5. Connect supplied 3/8" copper tube to slow closing valve using compression fitting attached to valve. Connect tower to supply line with a shut-off valve and install a 3/8" unplated copper water line between the valve and the tower inlet. Remove any burrs from outside of water line. Push the tubes straight into the fittings until they reach a positive stop, approximately 3/4".
6. Water supply 3/8" O.D. unplated copper tube. Contractor to supply waste trap and service stop valve in accordance with local code.
7. Connect water supply. Water connection and drain must comply with local codes.
8. Turn on water supply and check all connections for leaks.

CAUTION: This shower tower is rated for inlet water pressure of 20-105 PSI. A pressure reducing regulator should be used if the inlet water supply exceeds 105 PSI. Any damage caused by reason of connecting this product to supply line pressures lower than 20 psig or higher than 105 psig is not covered by warranty.

9. Connecting lines to be made of unplated copper and should be thoroughly flushed to remove all foreign matter before being connected to tower. This shower tower is manufactured in such a manner that it does not in any way cause taste, odor, color, or sediment problems.

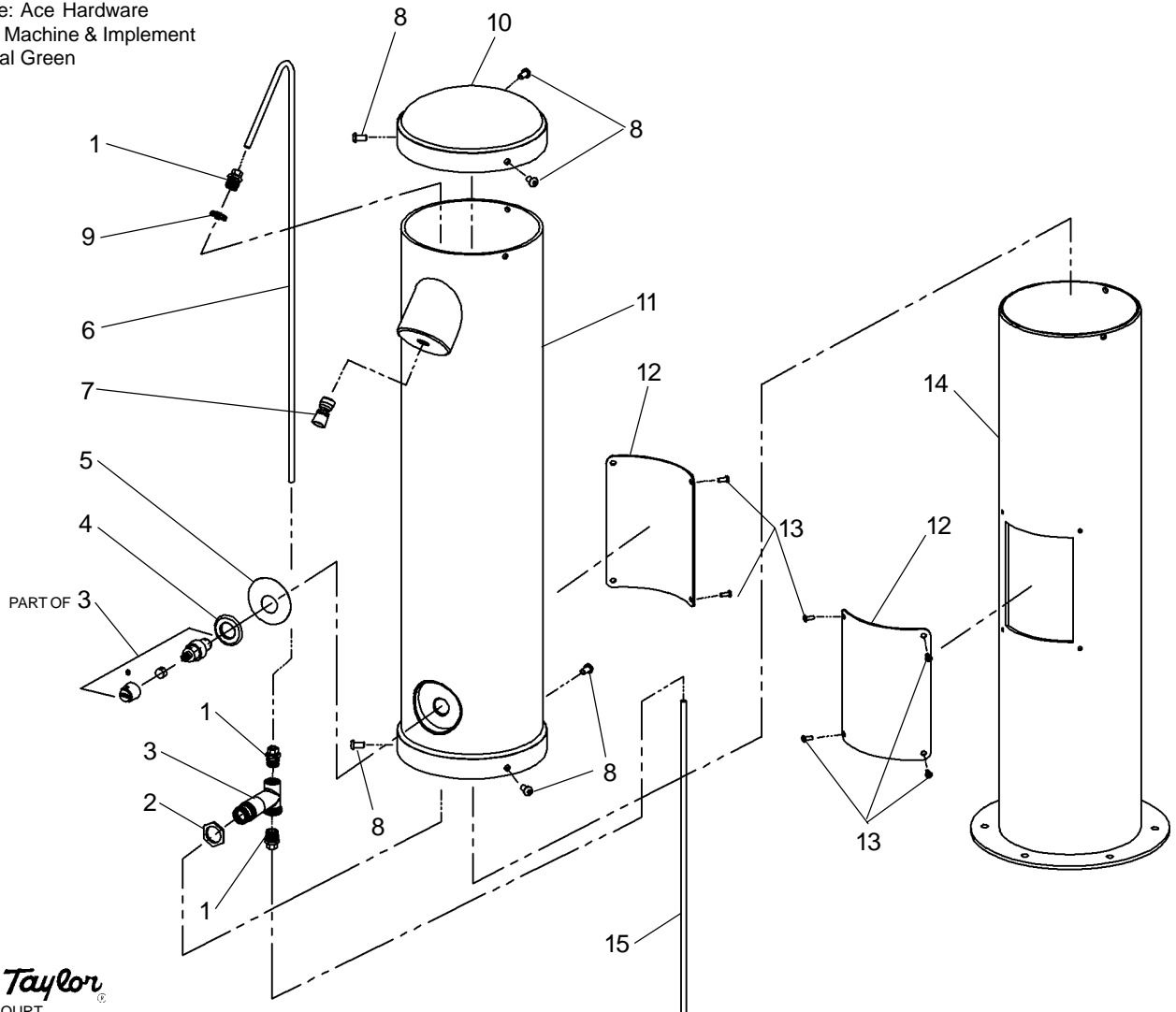
## 4450 SHOWER TOWER

ITEMIZED PARTS LIST		
ITEM NO.	PART NO.	DESCRIPTION
1	75645C	Fitting - 3/8" Comp. x 1/2" MPT
2	40045C	Hex Nut 1-5/16"
3	75644C	Valve - Slow Closing
4	15020C	Spacer
5	28091C	Nameplate Insert
6	66725C	Tube - Shower Head
7	75650C	Head Shower
8	75633C	Screw 3/8"-16 X .75" Pinned Torx
9	70977C	Nut - 1/2" Conduit Lock
10	45840C	Cap - 10" Domed
11	45843C	Body - 4450 Upper Tower
12	45832C	Access Panel
13	75535C	Screw 1/4"-20 X .75" Pinned Torx
14	45844C	Body - 4450 Base Tower
15	60549C	Tube - 3/8" X 24" Copper
NS	75521C	Bit - Pinned Torx (T-27)
NS	75522C	Bit - Pinned Torx (T-45)
NS	75654C	Allen Wrench (5/64)
NS	75596C	Paint Touch-up (Pen)

### Touch-up Paint

For minor scratches a Touch-up Paint Stick is available. For repairing large defects, off-the-shelf aerosol paint from your local hardware store can be used. Listed are two suggested brandnames.

- Brandname: X-O  
XO-11 Hunter Green
- Brandname: Ace Hardware  
Rust Stop / Machine & Implement  
International Green



**Halsey Taylor**  
 2222 CAMDEN COURT  
 OAK BROOK, IL 60523  
PRINTED IN U.S.A.

[www.DrinkingFountainDoctor.com](http://www.DrinkingFountainDoctor.com)

800-518-5388