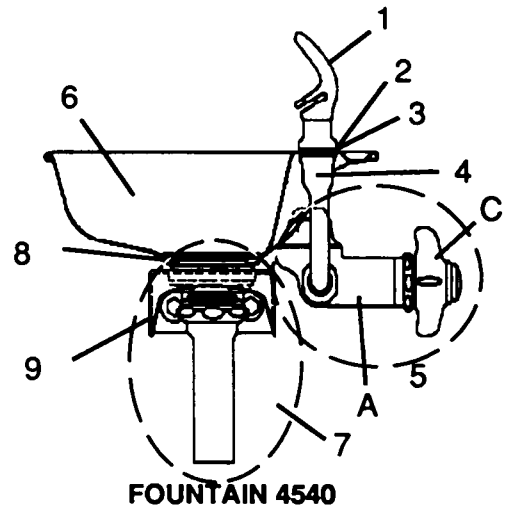


BRACKET FOUNTAINS

Models 4540 and 4586 /Automatic Stream Control

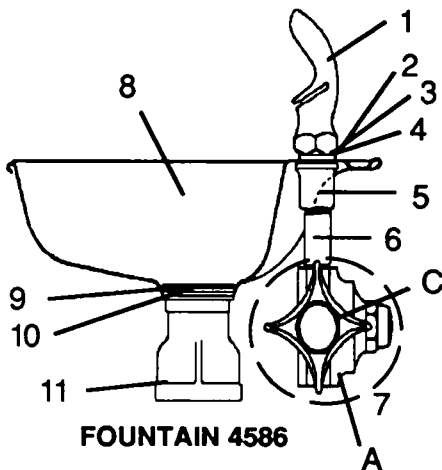
FOUNTAIN 4540 PARTS LIST

REF NO	PART NUMBER	DESCRIPTION
1	16-03165-08-640	Projector
2	10-03227-40-560	Gasket (2 each)
3	16-06092-08-550	Nipple
4	16-05050-08-640	Projector Connection
5	60-01486-51-640	Valve and Handle Stem Assembly*
5a	60-09418-51-640	Regulator Assembly* (included in item 5)
5b	60-08050-51-550	Regulator Repair Kit (for item 5a)*
5c	60-01128-51-640	Cross Handle Stem Assembly* (included in item 5)
5d	60-08250-51-550	Stem Repair Kit (for item 5c)*
6	17-07050-42-830	Receptor
7	60-00379-08-640	Drain Assembly*
7a	16-16373-08-640	Drain Plug (included in item 7)
7b	16-02705-08-640	Strainer Plate (included in item 7)
7c	10-01471-40-560	Waste Gasket (included in item 7)
7d	10-03462-20-550	Locknut (included in item 7)
7e	10-03529-40-560	Gasket (included in item 7)
7f	16-03463-08-640	Slipnut (included in item 7)
7g	16-03460-08-640	Tailpiece (included in item 7)
8	10-08571-40-740	Gasket
9	40-07552-42-830	Wall Bracket



FOUNTAIN 4586 PARTS LIST

REF NO	PART NUMBER	DESCRIPTION
1	16-03165-08-640	Projector
2	10-03227-40-560	Gasket (2 each)
3	16-06092-08-550	Nipple
4	10-10474-42-550	Stream Breaker
5	16-01943-08-820	Projector Connection
6	16-00972-08-820	Nipple
7	60-01486-51-640	Valve and Handle Stem Assembly*
7a	60-09418-51-640	Regulator Assembly* (included in item 7)
7b	60-08050-51-550	Regulator Repair Kit (for item 7a)*
7c	60-01128-51-640	Cross Handle Stem Assembly* (included in item 7)
7d	60-08250-51-550	Stem Repair Kit (for item 7c)*
8	17-07348-42-830	Receptor
9	41-03228-08-640	Drain Plug
10	10-00232-40-740	Gasket (2 each)
11	16-15821-43-730	Waste Coupling



* Look for detailed schematic of this part in **Detailed Parts** Section

To order parts, contact your nearest Halsey Taylor wholesaler or representative.

Continued product improvement makes specifications subject to change without notice.

Halsey Taylor.

P.O. BOX 9001
OAKBROOK, ILLINOIS 60521