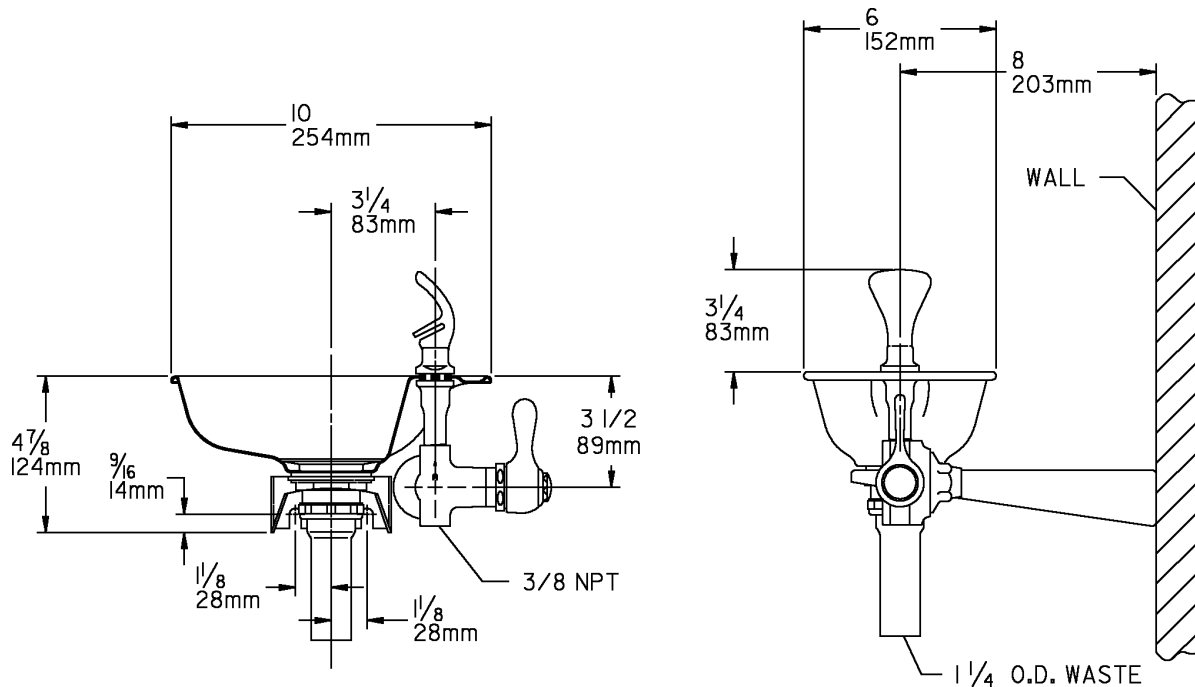


Halsey Taylor Owners Manual

MODEL 4540 FOUNTAIN



INSTALLATION INSTRUCTIONS

1. This fountain is to be mounted on a smooth, flat, finished wall surface, with adequate support structure.
 2. Establish rim height fountain is to be mounted at.
 3. Refer to rough-in for plumbing.
 4. Locate and install trap (not included).
 5. Install shut-off valve (not included) on building water supply.
 6. Secure fountain using 1/4" (6mm) lag screws or bolts (not included).
- CAUTION:** This fountain is rated for inlet water pressure of 20-90 psi. Should the inlet water supply exceed 90 psi, a pressure reducing regulator should be used.
7. Connect fountain to building supply line by running a water line between the shut-off valve and fountain.
 8. Turn on water supply and check all connections for leaks.
 9. Adjust bubbler stream height. (See instructions below)

TROUBLE SHOOTING & MAINTENANCE

PROJECTOR: If mineral deposits build up in the orifice, they can be removed by using a round file or small diameter wire.

CAUTION: Care must be taken not to damage orifice assembly.

STREAM REGULATOR: Stream height is factory set at 45-50 psi. If supply pressure varies greatly from this, remove the cap from the bubbler assembly/valve regulator and adjust the screw on the regulator. Clockwise adjustment will raise stream height and counterclockwise will lower stream height. A stream height of 1-1/2" (38mm) is recommended. (See Fig. 1)

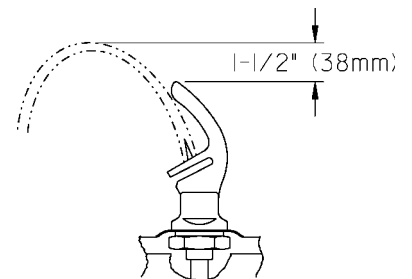


FIG. 1

PARTS LIST 115V

ITEMNO.	PART NO.	DESCRIPTION
1	51575C	Ring-Packing
2	100352940560	Gasket-Slipnut
3	100857140740	Gasket
4	110346220550	Locknut
5	160270508640	Strainer Plate
6	160346008640	Tailpiece 1-1/4" O.D. x 4"
7	160346308640	Slipnut 1-1/2"
8	161637308640	Drain Plug
9	170705042830	Receptor
10	400755242830	Fountain Bracket
11	66383C	Supply Line w/Lever Handle (includes items 12 - 19)
12	100322740560	Bubbler Gasket
13	101047442550	13/32 Coil S/Breaker
14	160118508640	Cap-Bright
15	160316508640	Projector
16	160609216550	Projector Nipple
17	45657C	Projector Mounting Fitting
18	600116618640	Stem Assy w/Lever
19	600941818640	3/8 Auto Valve Body w/Reg

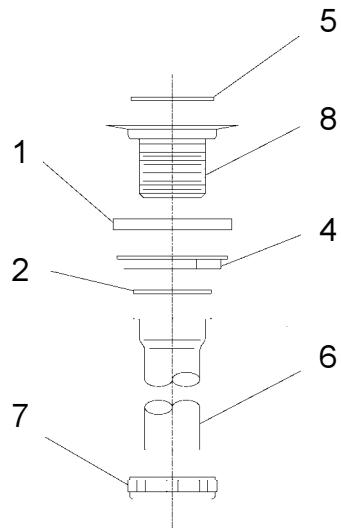
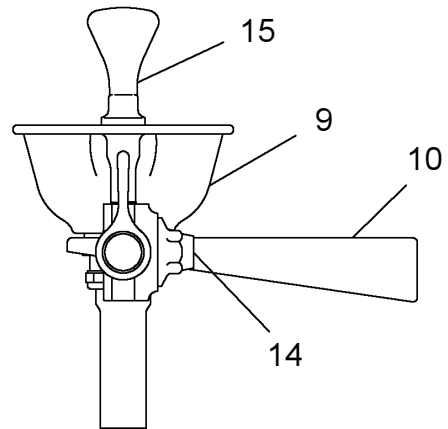
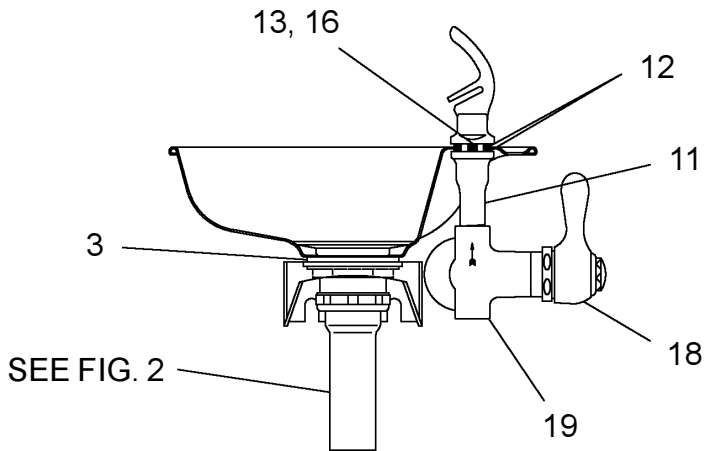


FIG. 2



Halsey Taylor
 2222 CAMDEN COURT
 OAKBROOK, IL 60523
 630.574.3500

PRINTED IN U.S.A.

FOR PARTS, CONTACT YOUR LOCAL DISTRIBUTOR OR CALL 1.800.323.0620