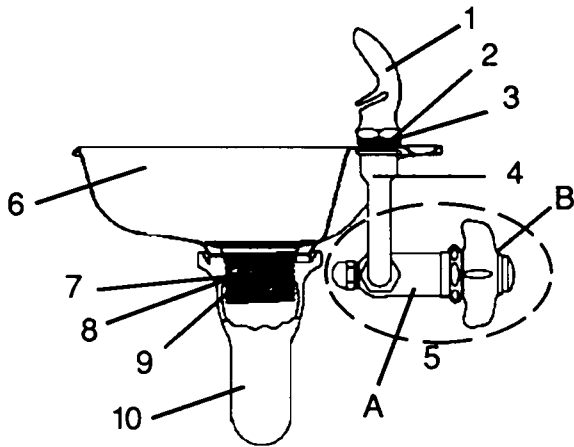


BRACKET FOUNTAINS

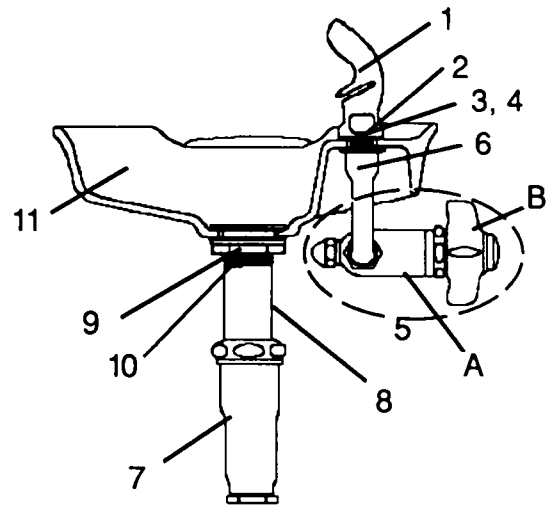
Models 4589 and 6966/Volume Regulator



FOUNTAIN 4589

FOUNTAIN 4589 PARTS LIST		
REF NO	PART NUMBER	DESCRIPTION
1	16-03165-08-640	Projector
2	10-03227-40-560	Gasket (2 each)
3	16-06092-08-550	Nipple
4	16-05050-08-640	Projector Connection
5	60-02255-51-640	Cross Handle Valve Assy*
5a	60-07650-51-640	Regulator* (included in item 5)
5b	60-01128-51-640	Cross Handle Stem Assy* (included in item 5)
5c	60-08250-51-550	Stem Repair Kit* (for item 5b)
5d	11-02240-08-640	Cap Regulator Screw (included in item 5)
6	17-07050-42-830	Receptor
7	16-16373-08-640	Drain Plug
8	16-02705-08-640	Strainer Plate
9	10-01471-40-560	Waste Gasket
10	40-05059-43-960	Trap

FOUNTAIN 6966 PARTS LIST		
REF NO	PART NUMBER	DESCRIPTION
1	16-03165-08-640	Projector
2	10-03227-40-560	Gasket (2 each)
3	16-06092-08-550	Nipple
4	10-10474-42-550	Stream Breaker
5	60-02255-51-640	Cross Handle Valve and Regulator*
5a	60-07650-51-640	Regulator (included in item 5)*
5b	60-01128-08-640	Cross Handle Stem Assembly (included in item 5)*
5c	60-08250-51-550	Stem Repair Kit (for item 5b)*
5d	11-02240-08-640	Cap Regulator Screw (included in item 5)
6	NO LONGER AVAILABLE	Projector Connection
7	16-00234-08-640	Trap
8	16-02799-08-640	Drain Plug and Tailpiece
9	11-02798-08-820	Lock Nut
10	10-02852-40-240	Gasket (2 each)
11	NO LONGER AVAILABLE	Receptor



**FOUNTAIN 6966
(Obsolete)**

* Look for detailed schematic of this part in Detailed Parts Section

To order parts, contact your nearest Halsey Taylor wholesaler or representative.

Continued product improvement makes specifications subject to change without notice.

Halsey Taylor.

P.O. BOX 9001
OAKBROOK, ILLINOIS 60521