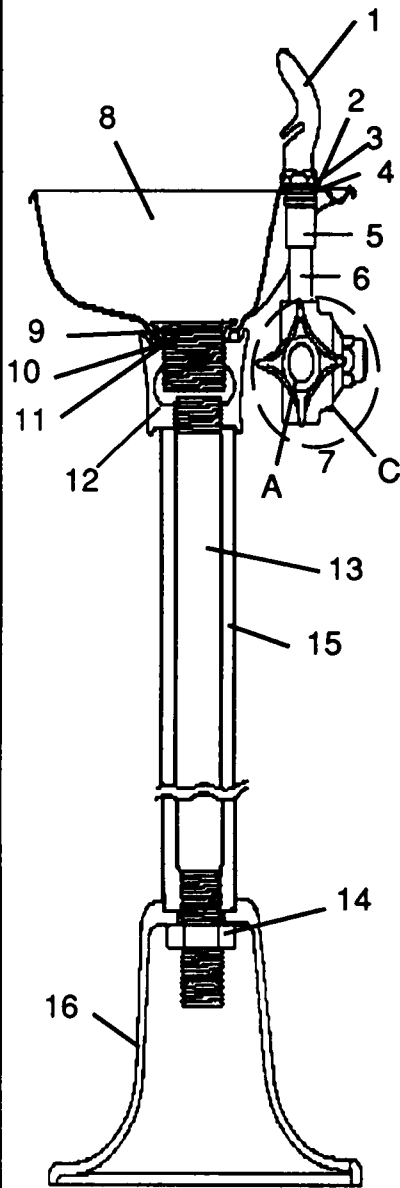


PEDESTAL FOUNTAINS

Models 4617 and 4618



FOUNTAINS 4617 and 4618 PARTS LIST

REF NO	PART NUMBER	DESCRIPTION	4617		4618	
			30"	36"	30"	36"
1	16-03165-08-640	Projector	X	X	X	X
2	10-03227-40-560	Gasket (2 each)	X	X	X	X
3	16-06092-08-550	Nipple	X	X	X	X
4	10-10474-42-550	Stream Breaker	X	X	X	X
5	16-01943-08-820	Projector Connection	X	X	X	X
6	16-00972-08-640	Nipple	X	X	X	X
7	60-01486-51-640	Valve and Handle Assembly*	X	X	X	X
7a	60-01128-51-640	Cross Handle Stem Assembly* (included in item 7)	X	X	X	X
7b	60-08250-51-550	Stem Repair Kit (for item 7a)*	X	X	X	X
7c	60-09418-51-640	Regulator Assembly * (included in item 7)	X	X	X	X
7d	60-08050-51-550	Regulator Repair Kit* (for item 7c)	X	X	X	X
8	17-07050-42-830	Receptor	X	X	X	X
9	16-16373-08-640	Drain Plug	X	X	X	X
10	16-02705-08-640	Strainer Plate	X	X	X	X
11	10-01471-40-560	Waste Gasket	X	X	X	X
12	40-03028-43-960	Top Casting	X	X	X	X
13a	16-03512-43-730	Pipe	X		X	
13b	16-00237-43-730	Pipe		X		X
14	11-00162-43-730	Locknut	X	X	X	X
15a	40-03511-43-960	Pedestal Tube	X		X	
15b	40-00222-43-960	Pedestal Tube		X		X
16a	40-03059-43-960	Base	X	X		
16b	40-03072-43-960	Tripod Base			X	X

To order parts, contact your nearest Halsey Taylor wholesaler or representative.

Continued product improvement makes specifications subject to change without notice.

Halsey Taylor.

P.O. BOX 9001
OAKBROOK, ILLINOIS 60521