

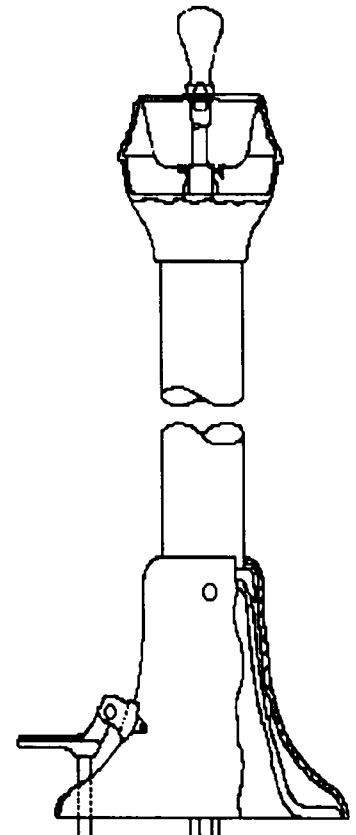
PEDESTAL FOUNTAINS

Model 4880

SEE PAGE 10
FOR NUMBERED PARTS
SCHEMATIC

FOUNTAIN 4880 PARTS LIST

REF NO	PART NUMBER	DESCRIPTION	30"	36"
1	40-09423-08-640	Vandal Proof Projector	X	X
2	11-05449-42-550	Set Screw	X	X
3	10-03227-40-550	Gasket	X	X
4	16-06092-08-550	Nipple	X	X
5	16-01943-08-550	Projector Connection	X	X
6	16-01399-43-730	Nipple	X	X
7	40-07877-13-750	Top Casting	X	X
8	40-07878-13-740	Lower Casting	X	X
9	17-07348-42-830	Receptor	X	X
10	41-03228-08-640	Drain Plug	X	X
11	10-00232-40-740	Gasket	X	X
12A	16-03515-43-730	Pipe	X	
12B	16-00161-43-730	Pipe		X
13	11-00162-43-730	Hex Lock Nut	X	X
14	16-02534-43-730	Pipe	X	X
15A	16-00157-43-730	Pipe	X	
15B	16-00159-43-730	Pipe		X
16	16-02533-43-730	Pipe	X	X
17	16-02535-43-730	Pipe	X	X
18	40-02081-08-550	Push Rod Plug	X	X
19	40-02796-13-550	Foot Pedal	X	X
20	11-02082-43-890	Foot Lever Pin	X	X
21	40-02797-13-740	Foot Pedal Bracket	X	X
22	60-08210-51-550	Hopper Valve Assembly*	X	X
22a	16-08209-51-550	Hopper Valve (inc. in item 22)*	X	X
22b	60-26492-51-550	Gasket Kit (for item 22a)	X	X
22c	60-01980-51-550	Automatic Regulator Assembly* (included in item 22)	X	X
22d	60-08050-51-550	Regulator Repair Kit* (for item 22c)	X	X
22e	16-07617-08-550	Check Valve (inc. in item 22)	X	X
22f	16-00750-51-640	Compression Stop (inc. in item 22)	X	X
23	40-09865-43-740	Pedestal	X	
23	40-00146-43-960	Pedestal		X
24	40-09677-43-960	Base Cover	X	X



* Look for detailed schematic of this part in Detailed Parts Section

To order parts, contact your nearest Halsey Taylor wholesaler or representative.

Continued product improvement makes specifications subject to change without notice.

Halsey Taylor.

P.O. BOX 9001
OAKBROOK, ILLINOIS 60521

PEDESTAL FOUNTAINS

Model 4880

SEE PAGE 9
FOR NUMBERED
REFERENCE CHART

