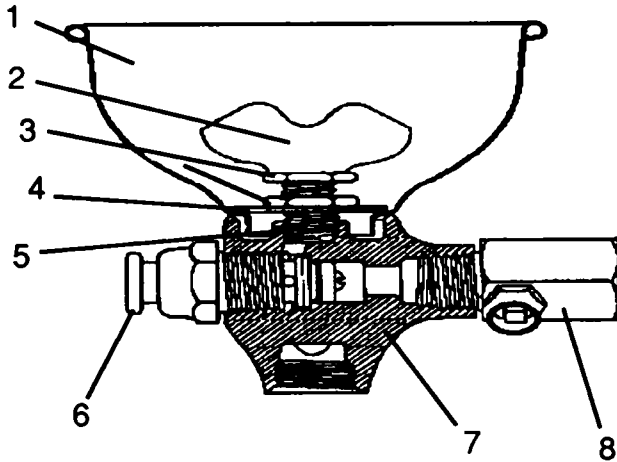


FOUNTAIN ASSEMBLIES

Models 501 and 504

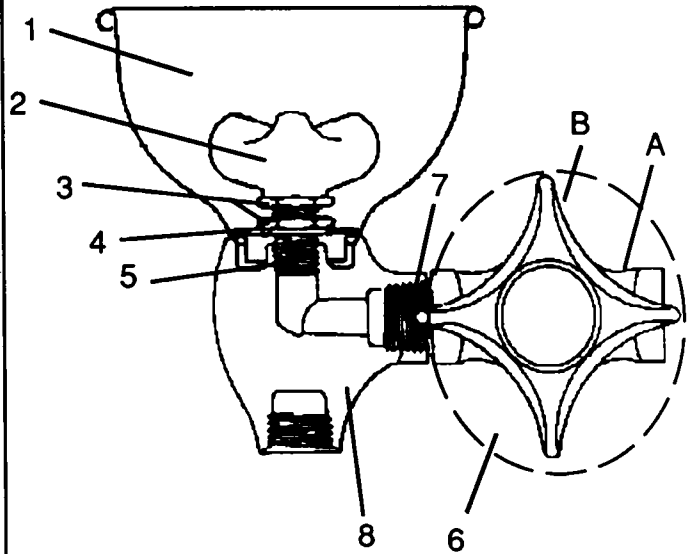


FOUNTAIN 501 PARTS LIST

REF NO	PART NUMBER	DESCRIPTION
1	17-00101-42-830	Receptor
2	41-00102-08-640	Projector - 4 Stream
3	11-00103-08-820	Lock Nut (2 each)
4	41-01095-08-640	Drain Plate
5	16-01094-08-820	Nipple
6	60-08140-51-640	Push Button Assembly*
7	16-03142-08-640	Fountain Head Body
8	60-09414-51-640	Service Valve Assembly*

FOUNTAIN 504 PARTS LIST

REF NO	PART NUMBER	DESCRIPTION
1	17-00101-42-830	Receptor
2	41-00102-08-640	Projector - 4 Stream
3	11-00103-08-820	Lock Nut (2 each)
4	41-01095-08-640	Drain Plate
5	16-01094-08-820	Nipple
6	60-02255-51-640	Cross Handle Valve and Regulator*
6a	60-07650-51-640	Regulator Assembly* (included in item 6)
6b	60-01128-51-640	Handle Stem Assembly* (included in item 6)
6c	60-08250-51-640	Valve Stem Repair Kit* (for item 6b)
6d	11-02240-08-640	Cap Regulator Screw (included in item 6)
7	16-00129-08-640	Nipple
8	16-00128-08-640	Fountain Head Body



* Look for detailed schematic of this part in Detailed Parts Section

To order parts contact your nearest Halsey Taylor wholesaler or representative.

Continued product improvement makes specifications subject to change without notice.

Halsey Taylor.

P.O. BOX 9001
OAKBROOK, ILLINOIS 60521