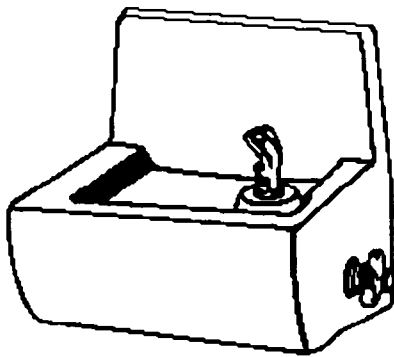
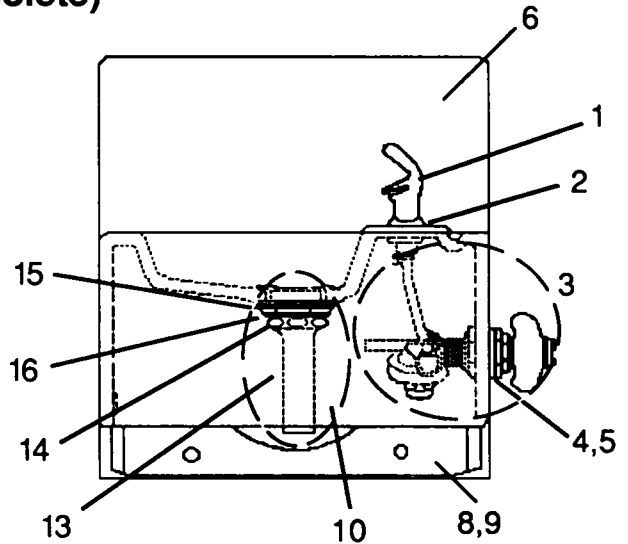
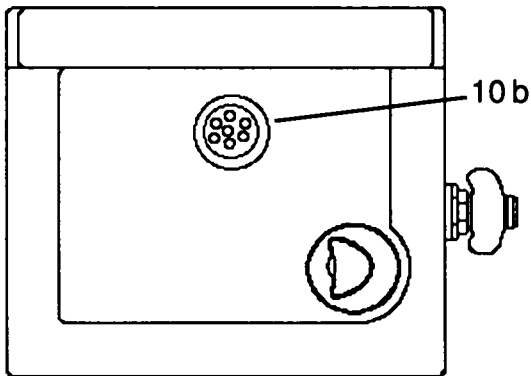


CHINA FOUNTAINS
Face Mounted Model 5655
(Obsolete)



FOUNTAIN 5655

FOUNTAIN 5655 PARTS LIST		
REF NO	PART NUMBER	DESCRIPTION
1	10-14228-31-640	Projector
2	10-03227-40-560	Gasket (2 each)
3	60-16327-51-550	Valve Assembly*
3a	60-16323-51-550	Projector Connection Assembly (included in item 3)
3b	60-14549-51-550	Valve Body Assembly* (included in item 3)
3c	60-08050-51-550	Valve Repair Kit (for item 3b)*
3d	60-01128-51-640	Cross Handle Stem Assembly* (included in item 3)
3e	60-08250-51-550	Stem Repair Kit (for item 3d)*
4	41-15642-08-640	Lock Nut
5	10-01158-24-740	Gasket (2 each)
6	No Longer Available	Receptor
7	40-00319-43-960	Hanger (Not Shown)
8	40-16314-43-730	Access Plate
9	40-16315-43-730	Access Plate Mounting Bracket
10	60-00379-08-640	Drain Assembly*
10a	16-16373-08-640	Drain Plug (included in item 10)
10b	16-02705-08-640	Strainer Plate (included in item 10)
10c	10-01471-40-560	Waste Gasket (included in item 10)
10d	16-03460-08-640	Tailpiece (included in item 10)
10e	16-03463-08-640	Slipnut (included in item 10)
10f	11-03462-20-550	Locknut (included in item 10)
10g	10-03529-40-560	Gasket (included in item 10)

* Look for detailed schematic of this part in **Detailed Parts Section**

To order parts, contact your nearest Halsey Taylor wholesaler or representative.

Continued product improvement makes specifications subject to change without notice.

Halsey Taylor.

P.O. BOX 9001
 OAKBROOK, ILLINOIS 60521