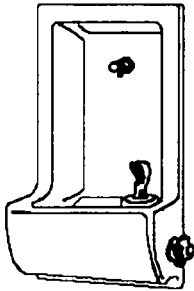
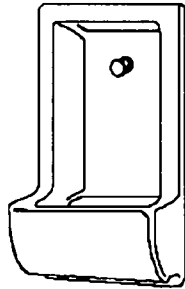


SEMI-RECESSED CHINA FOUNTAINS AND CUSPIDORS

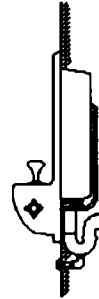
Models 5656, 5656GF, 5656CUSP, and 5657 Cuspidor



FOUNTAIN 5656 & 5656GF



FOUNTAIN 5657CUSP



FOUNTAIN 5656 W/CUSP CONNECTION

SEE PAGE 19
FOR REFERENCED
PART BREAKDOWN

FOUNTAIN 5656, 5656GF, 5656CUSP and 5657 PARTS LIST

REF NO	PART NUMBER	DESCRIPTION	5656	5656 w/GF	5656 CUSP	5657 CUSP
1	10-14228-31-640	Projector	X	X	X	
2	10-03227-40-560	Gasket (2 each)	X	X	X	
3	60-16322-51-550	Valve Assembly*	X			
3	60-16324-51-550	Valve Assembly*		X		
3	60-16361-51-550	Valve Assembly*			X	
3a	60-16323-51-550	Projector Connection Assembly (included in item 3)	X	X	X	
3b	60-15173-51-550	Valve Body Assembly (included in item 3)*	X	X		
3c	60-16359-51-550	Valve Body Assembly (included in item 3)*			X	
3d	60-08050-51-550	Regulator Valve Repair Kit (for item 3b and 3c)*	X	X	X	
3e	60-01128-51-640	Cross Handle Stem Assembly (included in item 3)*	X	X	X	
3f	60-08250-51-550	Stem Repair Kit (for item 3e)*	X	X	X	
3g	60-16355-51-550	Inlet Tube Assembly (included in item 3)	X	X	X	
3h	60-16353-51-550	Water Line Assembly (included in item 3)	X	X	X	
4	41-15642-08-640	Lock Nut	X	X	X	
5	10-01158-24-740	Gasket (2 each)	X	X	X	
6	17-16303-14-920	Receptor	X		X	
6	17-16302-14-920	Receptor		X		
6	17-16304-14-920	Receptor				X
7	10-16348-42-830	Access Plate	X	X	X	X
8	10-16349-42-830	Access Mounting Plate	X	X	X	X
9	60-00379-08-640	Drain Assembly*	X	X	X	X
9a	16-16373-08-640	Drain Plug (included in item 9)	X	X	X	X
9b	16-02705-08-640	Strainer Plate (included in item 9)	X	X	X	X
9c	10-01471-40-560	Waste Gasket (included in item 9)	X	X	X	X
9d	16-03460-08-640	Tailpiece (included in item 9)	X	X	X	X
9e	16-03463-08-640	Slip Nut (included in item 9)	X	X	X	X
9f	11-03462-20-550	Locknut (included in item 9)	X	X	X	X
9g	10-03529-40-560	Gasket (included in item 9)	X	X	X	X
10	73-02408-54-640	Glass Filler* (See Accessory Breakdown)		X		
11	60-16329-51-550	Cusp Water Line Assembly				X
12	61-08107-51-640	Flushing Head				X

* Look for detailed schematic of this part in Detailed Parts Section

To order parts, contact your nearest Halsey Taylor wholesaler or representative.

Continued product improvement makes specifications subject to change without notice.

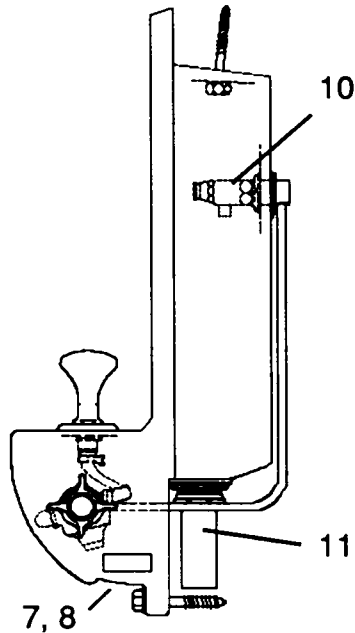
Halsey Taylor.

P.O. BOX 9001
OAKBROOK, ILLINOIS 60521

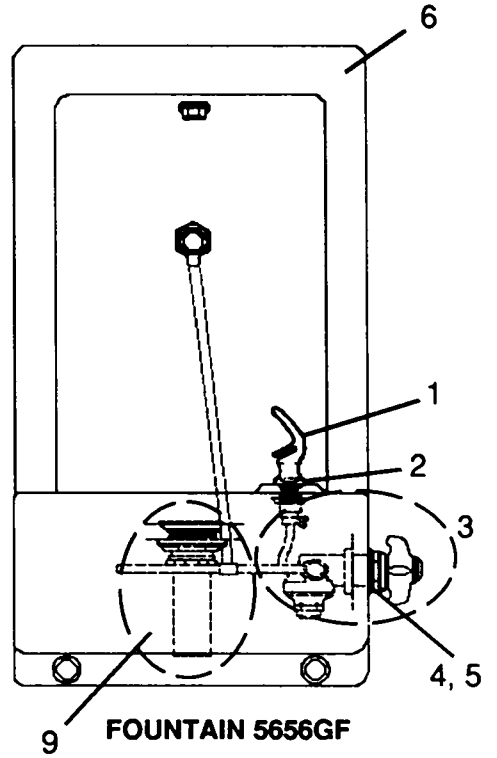
SEMI-RECESSED CHINA FOUNTAINS AND CUSPIDORS

Models 5656, 5656GF, 5656CUSP, and 5657 Cuspidor

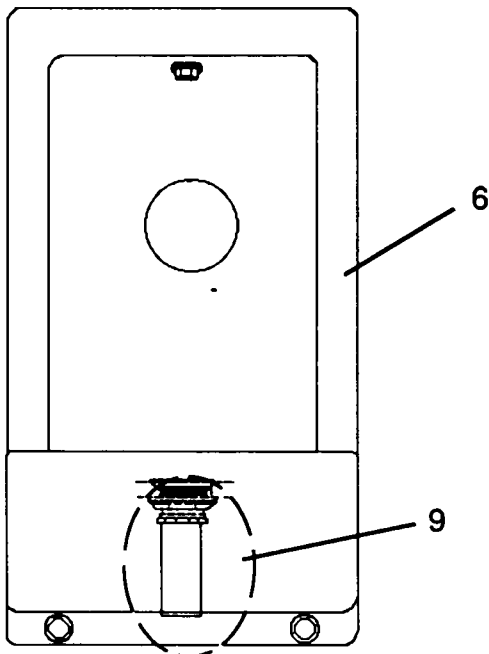
SEE PAGE 18
FOR NUMBERED
PARTS CHART



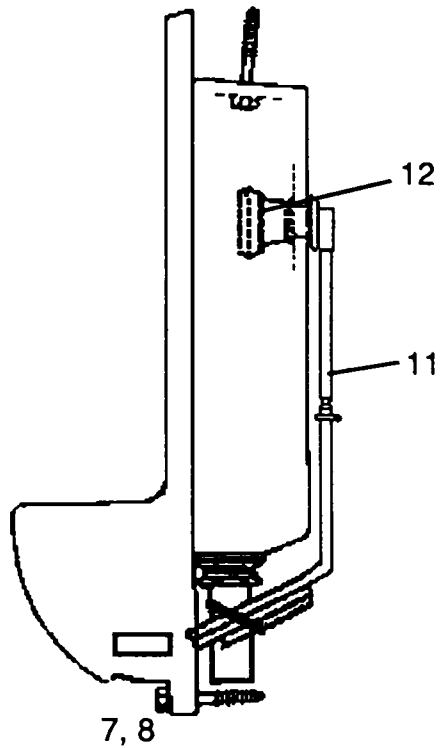
FOUNTAIN 5656GF



FOUNTAIN 5656GF



CUSPIDOR 5657



CUSPIDOR 5657