



MODEL 5701



This fountain is certified to NSF/ANSI 61.

GENERAL

One-piece backsplash and basin made of non-corrosive stainless steel. Anti-splash ridge to reduce splatter. Contour design insures proper drainage and prevents standing waste water. Satin finish resists stains and corrosion and is easy to maintain. When properly installed, unit meets state and federal requirements as defined by the Americans with Disabilities Act for side approach.

BUBBLER

Exclusive two-stream mound-building bubbler with non-removable anti-squirt feature insures a more comfortable and satisfying drink of water. One-piece, chrome-plated unit has integral hood guard design to prevent contamination.

PUSHBAR ACTUATION MECHANISM

Self closing light touch push bars with raised letters for the visually impaired.

AUTOMATIC STREAM HEIGHT REGULATOR

Self-closing assembly is located inside unit to prevent tampering. Unit resists corrosion and liming. A constant stream height is automatically maintained under line pressures that vary from 20 to 105 psi.

INLET STRAINER

Easily cleaned in-line strainer screen traps particles of 140 microns or larger before they enter the waterway.

WATER INLET

3/8" O.D. Tubing

DRAIN OUTLET

1-1/4" tube outlet for 1-1/4" slip joint connection.

SUGGESTED SPECIFICATIONS

Fountain shall include pushbutton on the front, contour-formed basin to eliminate splashing and standing water, and shall have rounded corners and edges. Projector shall be two-stream, mound-building type with integral hood guard and anti-squirt feature. Cooler shall comply with ANSI 117:1 and **ADA for side approach only**. The manufacturer shall certify the unit to meet the requirements of NSF/ANSI 61, and the Safe Drinking Water Act.

Note: Continued product improvement makes specifications subject to change without notice. See Halsey Taylor website for most current spec sheet.

**Wall-Mounted
Drinking Fountain**



Standard finish is Stainless Steel

Optional Accessories (extra cost)

- Vandal-Resistant Kit
- Easy-Flex™ Bubbler

Each 5701 consists of 1 carton of the following:

Fountain and Misc. Parts

Trap and service stop not included.

Copper tube to water supply connection not furnished

Shipping weight: 21 lbs.

JOB NAME: _____

 ENGINEER/CONTRACTOR NAME: _____

 APPROVAL: _____
 DATE: _____



* For parallel approach only

5701

Wall-Mounted Drinking Fountain

(CONTINUED)

MOUNTING INSTRUCTIONS

Refer to diagrams for rough-in of plumbing.
 For wall support required locations see installation instructions provided with fountain. Water service line and waste line are to be assembled as required. Final check for leaks and correct functions of fountain should be made.
 (For details see the installation instructions.)

Trap and service stop not included.

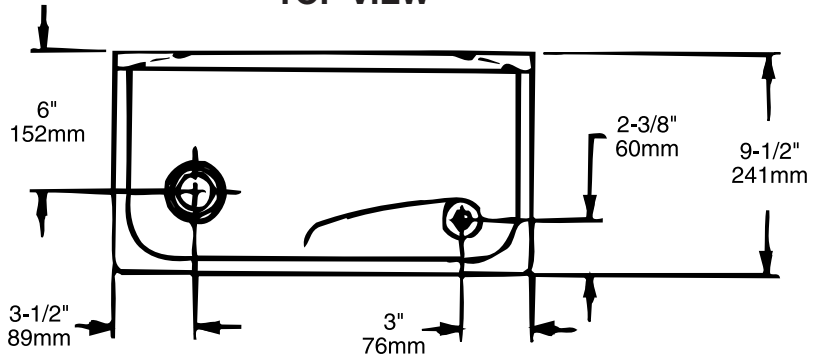
CAUTION – Fountain must be securely bolted to wall

OPERATING PRESSURES

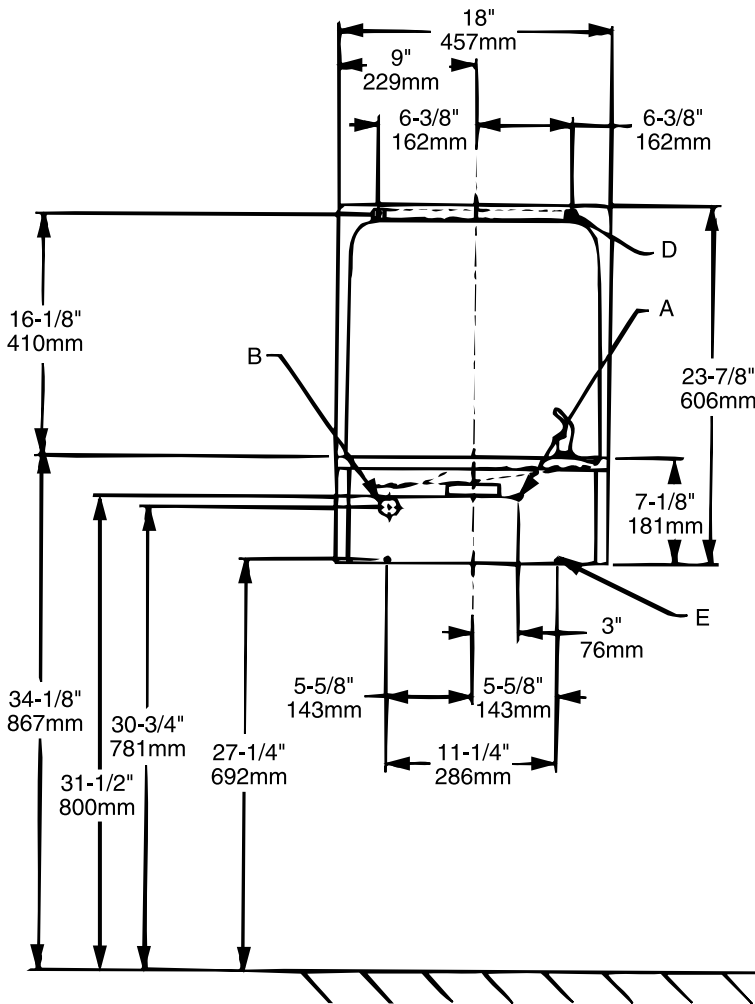
Supply water-105 psi maximum

NOTE: A service supply stop (not included) must be installed at the fountain inlet line.

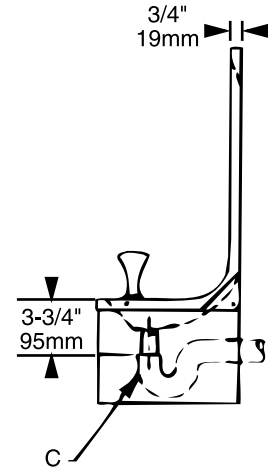
TOP VIEW



FRONT VIEW / WALL LAYOUT



SIDE VIEW



LEGEND:

- A = RECOMMENDED WATER SUPPLY LOCATION, 3/8" O.D. UNPLATED COPPER TUBE CONNECT
- B = RECOMMENDED LOCATION FOR WASTE OUTLET, 1-1/4" O.D. DRAIN
- C = 1-1/4" TRAP NOT FURNISHED
- D = MOUNTING HOLES FOR BASIN HANGER STRAP
- E = MOUNTING HOLES FOR FOUNTAIN

FINISHED FLOOR