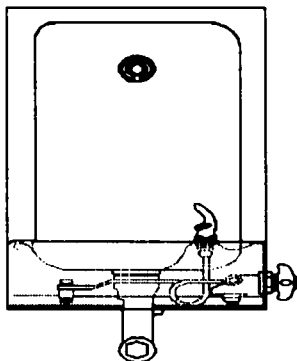


SEMI-RECESSED FOUNTAINS AND CUSPIDOR

Models 5800, 5801, 5800 w/Cusp Connection and 5801 w/Cusp Connection



SEE PAGE 21
FOR REFERENCED
PART BREAKDOWN

FOUNTAIN 5800 and 5801 PARTS LIST

REF NO	PART NUMBER	DESCRIPTION	5800 GF	5801	5800 cusp	5801 cusp
1	16-03165-08-640	Projector	X	X	X	X
2	10-03227-40-560	Gasket (2 each)	X	X	X	X
3	16-06092-08-550	Nipple	X	X	X	X
4	10-10474-42-550	Stream Breaker	X	X	X	X
5	60-03421-51-550	Projector Supply Line	X	X	X	X
6	60-01878-51-550	Inlet Supply Tube Assembly	X		X	
6	60-03424-51-550	Inlet Supply Tube Assembly		X		X
7	60-14200-51-740	Valve Body Assembly*	X	X		
7	60-10387-51-550	Valve w/Cusp Connector*			X	
7	60-09830-51-550	Valve w/Cusp Connector*				X
7a	60-08050-51-550	Valve Repair Kit (for item 7)*	X	X	X	X
8	16-01185-08-550	Cap (not included in item 7)	X	X	X	X
9	60-01128-51-640	Cross Handle Stem Assembly*	X	X	X	X
9a	60-08250-51-550	Stem Repair Kit (for item 9)*	X	X	X	X
10	41-15642-08-640	Locknut	X	X	X	X
11	10-01158-24-740	Gasket (2 each)	X	X	X	X
12	40-07925-42-830	Receptor	X		X	
12	17-06394-42-830	Receptor		X		X
13	60-00614-51-640	Drain Assembly*	X	X	X	X
13a	16-16373-08-640	Drain Plug (included in item 13)	X	X	X	X
13b	16-02705-08-640	Strainer Plate (included in item 13)	X	X	X	X
13c	10-01471-40-560	Drain Gasket (included in item 13)	X	X	X	X
13d	16-03461-08-640	Tailpiece (included in item 13)	X	X	X	X
13e	16-03463-08-640	Slipnut (included in item 13)	X	X	X	X
13f	11-03462-20-550	Locknut (included in item 13)	X	X	X	X
13g	10-03529-40-560	Gasket (included in item 13)	X	X	X	X
14	40-09521-43-730	Cover Plate	X	X	X	X
15	40-14954-43-730	Hanger (Not shown)	X	X	X	X
16	73-02408-51-650	Glass Filler*(See Accessory Breakdown)	X		X	
17	60-07876-51-550	Glass Filler Supply Tube Assembly	X		X	
18	10-03227-40-560	Gasket	X		X	
19	10-07519-24-870	Gasket	X		X	
20	41-15642-08-640	Locknut	X		X	

* Look for detailed schematic of this part in Detailed Parts Section

To order parts, contact your nearest Halsey Taylor wholesaler or representative.

Continued product improvement makes specifications subject to change without notice.

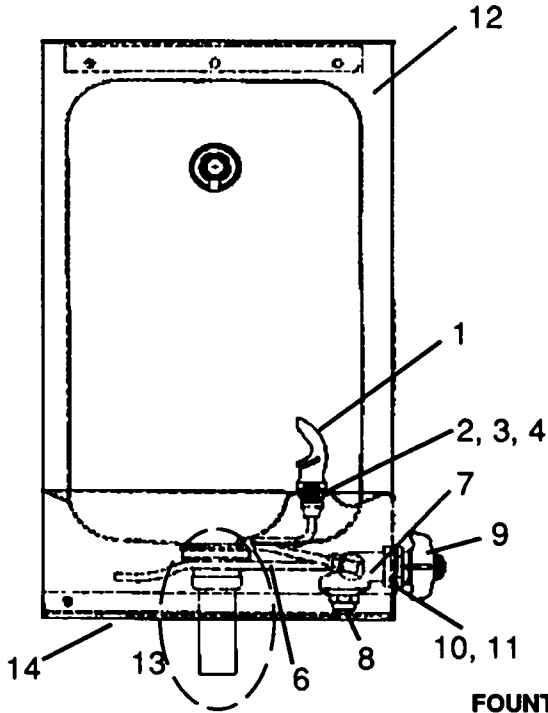
Halsey Taylor.

P.O. BOX 9001
OAKBROOK, ILLINOIS 60521

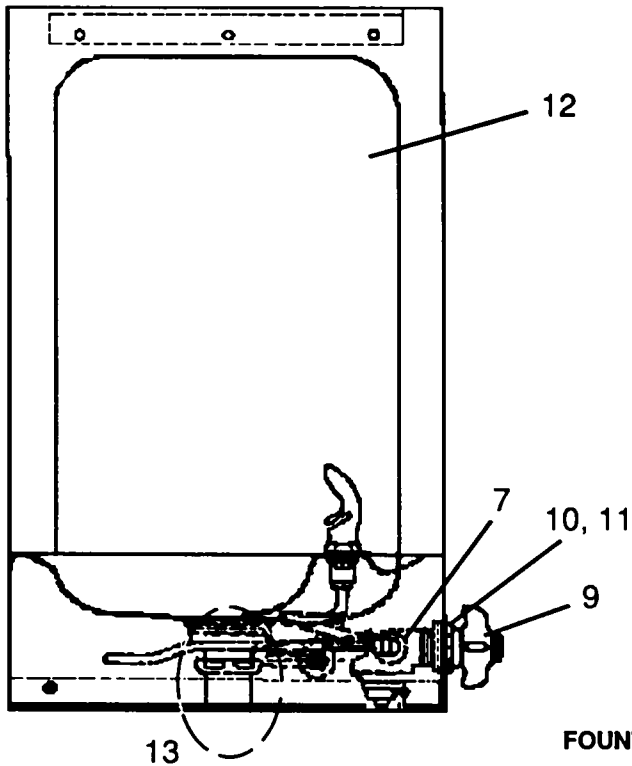
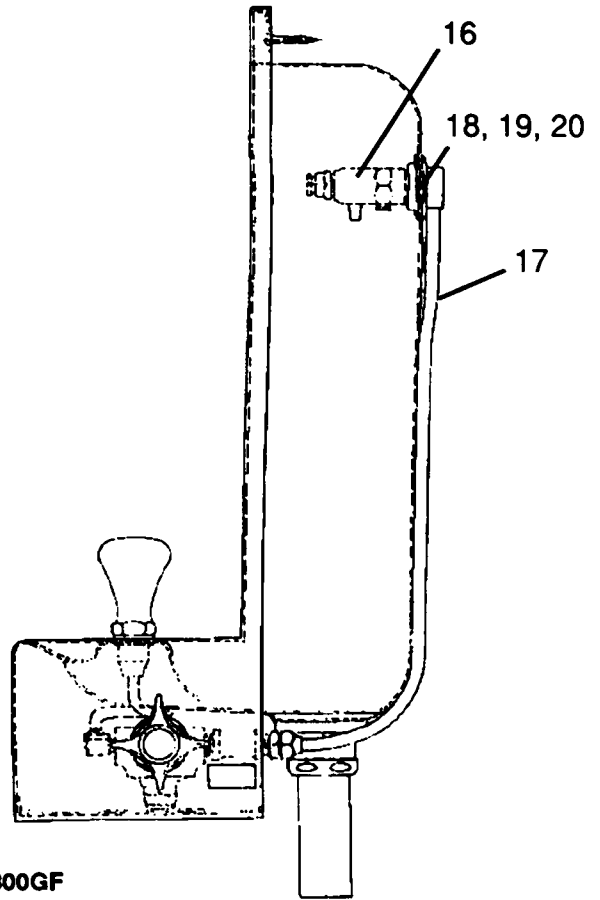
SEMI-RECESSED FOUNTAINS AND CUSPIDOR

Models 5800, 5801, 5800 w/Cusp Connection and 5801 w/Cusp Connection

SEE PAGE 20
FOR NUMBERED
PARTS CHART



FOUNTAIN 5800GF



FOUNTAIN 5801

