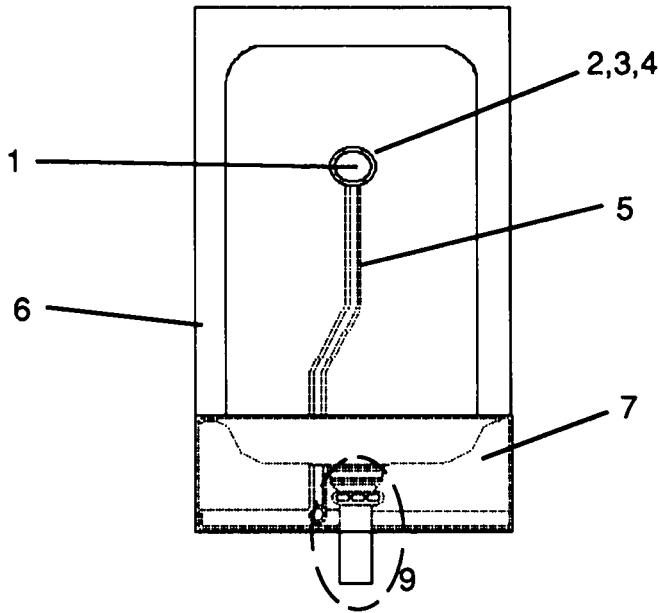


SEMI-RECESSED FOUNTAINS AND CUSPIDOR Model 5803



FOUNTAIN 5803 PARTS LIST

REF NO	PART NUMBER	DESCRIPTION
1	61-08107-51-640	Flushing Head
2	10-03227-40-560	Gasket
3	10-01158-24-740	Gasket
4	41-15642-08-640	Locknut
5	60-07876-51-550	Flushing Head Supply Line Assembly
6	40-08253-42-830	Receptor
7	40-09521-43-730	Cover Plate
8	40-14954-42-730	Hanger (Not Shown)
9	60-00614-51-640	Drain Assembly*
9a	16-16373-08-640	Drain Plug (included in item 9)
9b	16-02705-08-640	Strainer Plate (included in item 9)
9c	10-01471-40-560	Waste Gasket (included in item 9)
9d	16-03461-08-640	Tailpiece (included in item 9)
9e	16-03463-08-640	Slipnut (included in item 9)
9f	11-03462-20-550	Locknut (included in item 9)
9g	10-03529-40-560	Gasket (included in item 9)

* Look for detailed schematic of this part in Detailed Parts Section

To order parts, contact your nearest Halsey Taylor wholesaler or representative.

Continued product improvement makes specifications subject to change without notice.

Halsey Taylor.

P.O. BOX 9001
OAKBROOK, ILLINOIS 60521