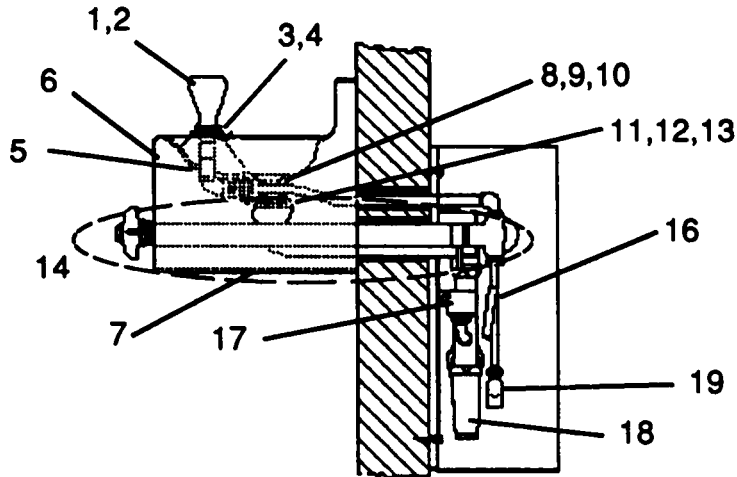


FROST PROOF WALL FOUNTAINS

Models 5901AC, 5905AC, 5906 AC and 5913AC



FOUNTAINS 5901AC, 5905AC, 5906AC and 5913AC PARTS LIST

REF NO	PART NUMBER	DESCRIPTION	5901 AC	5905 AC	5906 AC	5913 AC
1	40-09423-08-640	Vandal Proof Projector	X	X	X	X
2	11-05449-42-550	Set Screw	X	X	X	X
3	10-03227-40-560	Gasket (2 each)	X	X	X	X
4	16-06092-08-550	Nipple	X	X	X	X
5	60-06864-51-550	Projector Elbow Assembly	X	X	X	X
5a	16-01943-08-550	Projector Connection (included in item 5)	X	X	X	X
5b	16-00972-08-550	Nipple (included in item 5)	X	X	X	X
6	40-10397-42-830	Receptor	X	X	X	X
7	40-09911-42-550	Cover Plate		X		
8	16-16373-08-640	Drain Plug	X	X	X	X
9	10-01471-40-560	Waste Gasket	X	X	X	X
10	60-08721-51-640	Strainer Assembly	X	X	X	X
10a	16-02705-08-640	Strainer Plate (Included in item 10)	X	X	X	X
11	16-03463-08-640	Slipnut	X	X	X	X
12	11-03462-20-550	Locknut	X	X	X	X
13	10-03529-40-560	Gasket	X	X	X	X
14	73-06852-51-550	Valve Assembly* (See note below)	X	X	X	X
14a	60-09880-51-550	Stem Assembly (included in item 14) (See note below)	X	X	X	X
14b	60-06862-51-550	Valve and Regulator Assembly (included in item 14)	X	X	X	X
14c	60-08050-51-550	Valve Repair Kit (for item 14b)*	X	X	X	X
15	73-07397-51-550	On Wall Box (Not Shown)	X	X	X	X
15	73-09863-51-550	In Wall Box (Not Shown)	X	X	X	X
16	60-01878-51-550	Inlet Tube Assembly (included in 15)	X	X	X	X
17	60-06854-51-550	Air Gap and Waste Tube	X	X	X	X
18	16-00234-08-550	Trap (accessory only)	X	X	X	X
19	60-05022-51-550	Service Stop (accessory only)	X	X	X	X

IMPORTANT: When ordering item 14 or 14a, the following information must be provided:

1. Wall thickness
2. Is plumbing cabinet "in the wall" or "on the wall"?

* Look for detailed schematic of this part in **Detailed Parts Section**

To order parts, contact your nearest Halsey Taylor wholesaler or representative.

Continued product improvement makes specifications subject to change without notice.

Halsey Taylor.

P.O. BOX 9001
OAKBROOK, ILLINOIS 60521