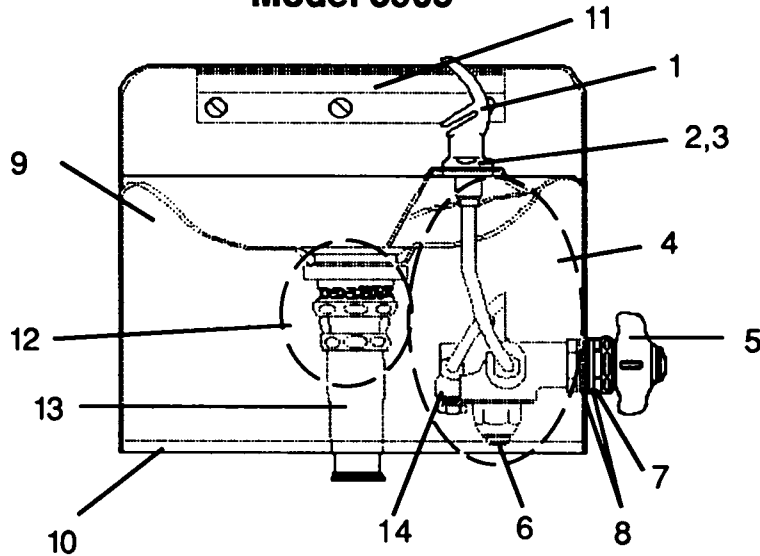


FACE MOUNTED FOUNTAIN Model 5905



FOUNTAIN 5905 PARTS LIST

REF NO	PART NUMBER	DESCRIPTION
1	16-03165-08-640	Projector
2	10-03227-40-560	Gasket (2 each)
3	16-06092-08-550	Projector Nipple
4	60-26867-51-550	Supply Line Assembly*
4a	60-03520-51-550	Projector Supply Tube (included in item 4)
4b	60-01878-51-550	Inlet Supply Tube (included in item 4)
4c	60-14200-51-740	Valve Assembly (included in item 4)*
4d	60-08050-51-550	Valve Repair Kit (for item 4c)*
5	60-01128-51-640	Cross Handle Stem Assembly*
5a	60-08250-51-550	Stem Repair Kit (for item 5)*
6	16-01185-08-550	Regulator Cap
7	41-15642-08-640	Locknut
8	10-01158-24-740	Gasket (2 each)
9	17-07075-42-830	Receptor
10	40-09522-43-730	Cover Plate
11	40-14443-43-730	Hanger
12	60-00379-08-640	Drain Assembly*
12a	16-16373-08-650	Drain Plug (included in item 12)
12b	16-02705-08-650	Strainer Plate (included in item 12)
12c	10-01471-40-560	Waste Gasket (included in item 12)
12d	11-03462-20-550	Locknut (included in item 12)
12e	11-03463-08-640	Slipnut (included in item 12)
12f	10-03529-40-560	Gasket (included in item 12)
12g	16-03560-08-550	Tailpiece (included in item 12)
13	16-00234-08-650	Trap (accessory only)
14	60-05022-51-550	Service Stop (accessory only)

* Look for detailed schematic of this part in **Detailed Parts Section**

To order parts, contact your nearest Halsey Taylor wholesaler or representative.

Continued product improvement makes specifications subject to change without notice.

Halsey Taylor.

P.O. BOX 9001
OAKBROOK, ILLINOIS 60521