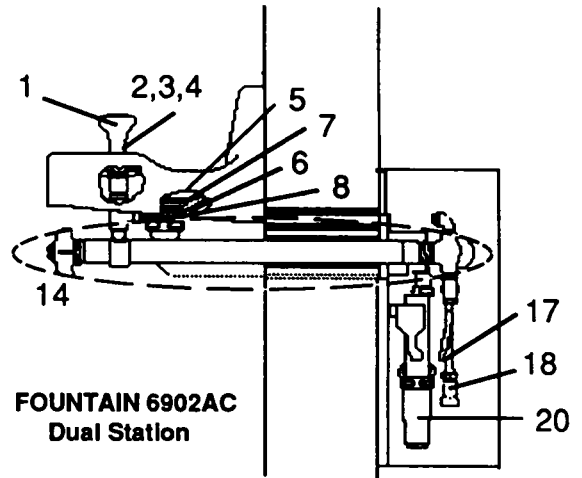
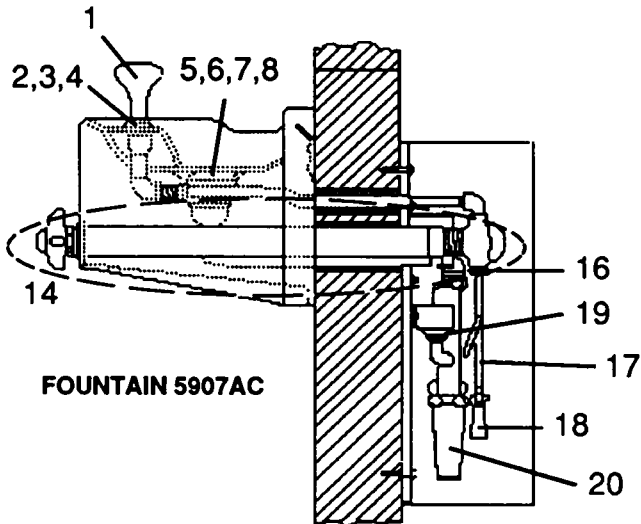


# FROST PROOF WALL FOUNTAINS

## Models 5907AC and 6902AC



### FOUNTAINS 5907AC and 6902AC PARTS LIST

REF NO	PART NUMBER	DESCRIPTION	5907 AC	6902 AC
1	16-03165-08-640	Projector	X	X
2	10-03227-40-560	Gasket (2 each)	X	X
3	16-06092-08-550	Projector Nipple	X	X
4	10-10474-42-550	Stream Breaker	X	X
5	60-08721-51-640	Strainer Plate Assembly	X	
5	16-02705-08-640	Strainer Plate		X
6	16-16373-08-640	Drain Plug	X	X
7	10-01471-40-560	Waste Gasket	X	X
8	11-03462-20-550	Locknut		X
9	No Longer Available	Projector Supply Assembly		X
10	No Longer Available	Drain Elbow	X	X
11	No Longer Available	Receptor	X	X
12	No Longer Available	Cover Plate	X	
13	No Longer Available	Cabinet	X	
14	73-06852-51-550	AC Valve Complete* (See note below)	X	X
14a	60-09880-51-550	Stem Assembly (included in item 14)	X	X
14b	60-06862-51-550	Right Hand AC Valve Assembly (included in item 14)	X	X
14c	60-08050-51-550	Diaphragm Assembly (for item 14)*	X	X
15	No Longer Available	Left Hand AC Valve Assembly		X
16	16-07352-08-550	Waste Elbow	X	
17	60-01878-51-550	Inlet Supply	X	X
18	60-05022-51-550	Service Stop	X	X
19	60-06854-51-550	Air Gap and Waste Tube	X	
20	16-00234-08-640	Trap	X	X
21	No Longer Available	Waste Tube		X

**IMPORTANT:** When ordering item 14 or 14a, the following information must be provided:

1. Wall thickness
2. Is plumbing cabinet "in the wall" or "on the wall"?

\* Look for detailed schematic of this part in **Detailed Parts** Section

**To order parts, contact your nearest Halsey Taylor wholesaler or representative.**

*Continued product improvement makes specifications subject to change without notice.*

**Halsey Taylor.**

P.O. BOX 9001  
OAKBROOK, ILLINOIS 60521