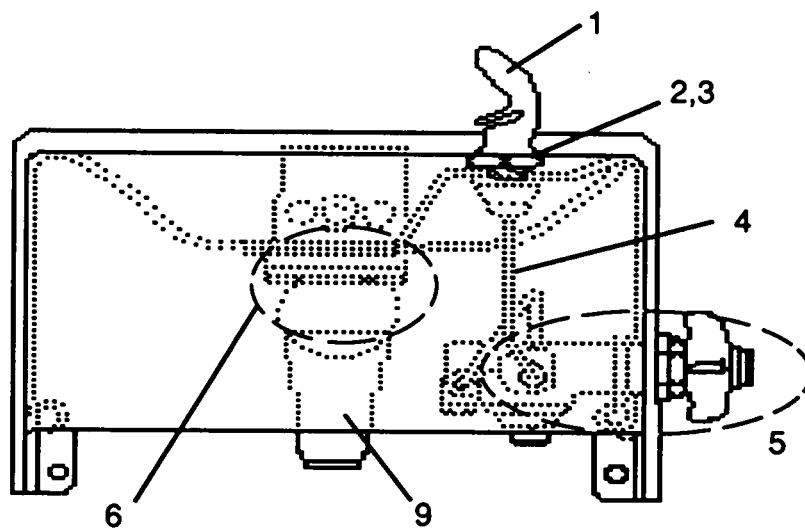


FACE MOUNTED FOUNTAIN Model 5907 (Obsolete)



FOUNTAIN 5907 PARTS LIST		
REF NO	PART NUMBER	DESCRIPTION
1	16-03165-08-640	Projector
2	10-03227-40-560	Gasket (2 each)
3	16-06091-08-550	Nipple
4	60-02734-51-550	Projector Supply Tube
5	60-02889-51-640	Cross Handle Valve Assembly*
5a	60-02596-51-550	Valve Assembly (included in item 5)*
5b	60-08050-51-550	Valve Repair Kit (for item 5a)*
5c	60-01128-51-640	Cross Handle Stem Assembly (included in item 5)*
5d	60-08250-51-550	Stem Repair Kit (for item 5c)*
5e	10-01158-24-740	Gasket (included in item 5)
5f	41-15642-08-640	Nut (included in item 5)
5g	11-01157-08-550	Locknut (included in item 5)
6	16-16373-08-640	Drain Plug
7	16-02705-08-640	Strainer Plate
8	10-01471-40-560	Waste Gasket
9	16-00234-08-640	Trap
10	16-03463-08-640	Slipnut
11	11-03462-20-550	Locknut
12	16-03560-08-550	Tailpiece
13	10-03529-40-560	Slipnut Gasket

* Look for detailed schematic of this part in Detailed Parts Section

To order parts, contact your nearest Halsey Taylor wholesaler or representative.

Continued product improvement makes specifications subject to change without notice.

Halsey Taylor.

P.O. BOX 9001
OAKBROOK, ILLINOIS 60521