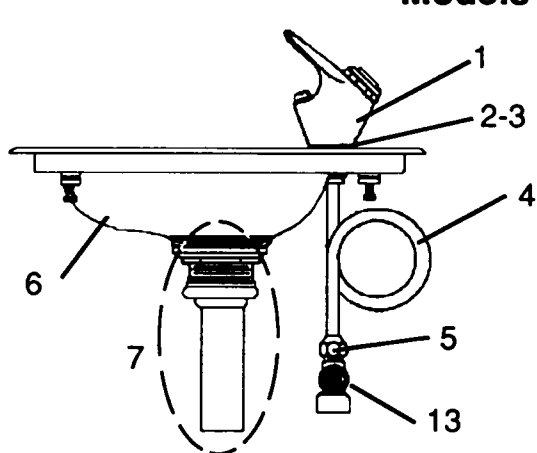
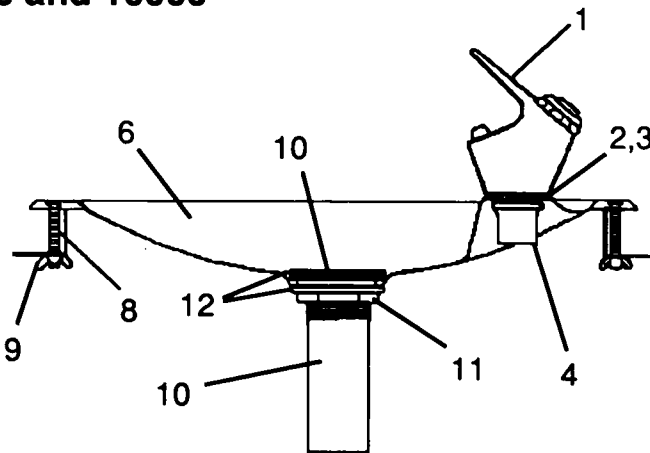


## COUNTER TOP FOUNTAINS

### Models 6000 and 10000



**FOUNTAIN 6000**



**FOUNTAIN 10000**

<b>FOUNTAINS 6000 and 10000 PARTS LIST</b>				
REF NO	PART NUMBER	DESCRIPTION	6000	10000
1	10-03041-51-640	Projector*	X	X
1a	10-14884-51-550	Cartridge (included in item 1)	X	X
2	10-03227-40-560	Gasket (2 each)	X	X
3	16-06092-08-550	Nipple	X	X
4	60-26880-51-550	Projector Tube Assembly	X	
4	16-01943-08-550	Projector Connection		X
5	16-14806-08-550	Coupling	X	
6	17-08070-42-830	Receptor	X	
6	17-10100-42-830	Receptor		X
7	60-00379-51-640	Drain Assembly*	X	
8	40-08573-42-550	Angle Clamp (4 each)		X
9	11-08574-43-890	Wing Nut (4 each)		X
10	16-02799-08-640	Drain Plug and Tailpiece		X
11	11-02798-08-820	Locknut		X
12	10-02852-40-740	Gasket (2 each)		X
13	60-05022-51-550	Service Valve (not included with fountain)	X	

**NOTE:** 10-03563-01-550 Spanner Wrench is available for the projector assembly.

\* Look for detailed schematic of this part in Detailed Parts Section

**To order parts, contact your nearest Halsey Taylor wholesaler or representative.**

*Continued product improvement makes specifications subject to change without notice.*

**Halsey Taylor.**

P.O. BOX 9001  
OAKBROOK, ILLINOIS 60521