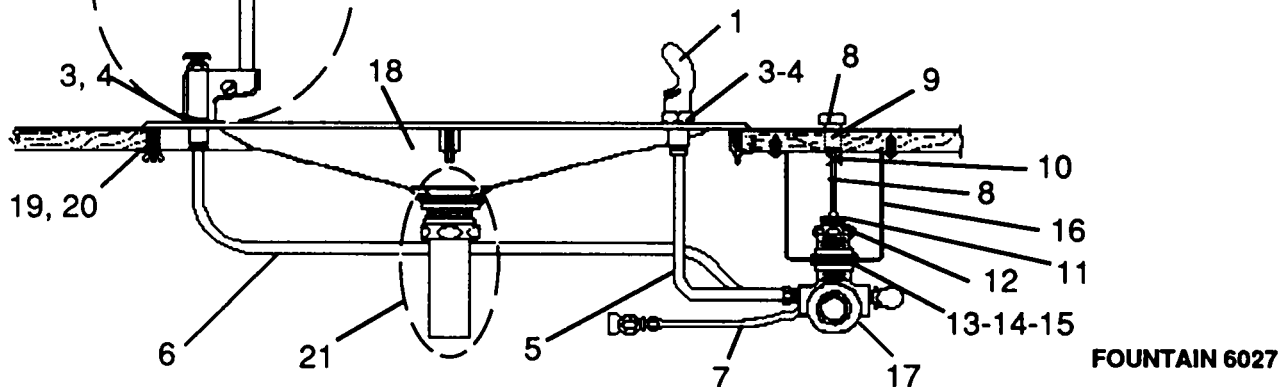


COUNTER TOP FOUNTAINS Models 6027 and 6028



FOUNTAINS 6027 and 6028 PARTS LIST

REF NO	PART NUMBER	DESCRIPTION	6027	6028
1	16-03165-08-640	Projector	X	X
2	73-08560-51-640	Glass Filler*(see accessory breakdown)	X	
3	16-06092-08-550	Nipple (2 each)	X	X
4	10-03227-40-560	Gasket (4 each)	X	X
5	60-03488-51-550	Projector Supply Line	X	X
6	60-08647-51-550	Tube Assembly	X	
7	60-03424-51-550	Inlet Supply Line	X	X
8	40-08818-42-590	Push Button Stem	X	X
9	52-08819-31-870	Push Rod Sleeve	X	X
10	11-07459-43-550	Speed Clip	X	X
11	52-08654-31-550	Push Rod Bumper	X	X
12	60-08240-51-640	Push Button Stem Assembly*	X	X
13	10-01158-24-740	Gasket (2 each)	X	X
14	41-15642-08-640	Hex Lock Nut	X	X
15	11-01157-08-550	Locknut (included in item 17)	X	X
16	40-08648-42-830	Valve Bracket	X	X
17	60-14200-51-740	Valve Assembly*	X	X
17a	60-08050-51-550	Valve Repair Kit (for item 17)*	X	X
18	17-08490-42-830	Receptor	X	
18	17-08489-42-830	Receptor		X
19	40-08573-42-550	Angle Clamp (4 each)	X	X
20	11-08574-43-890	Wing Nut (4 each)	X	X
21	60-00614-51-640	Drain Assembly	X	X
21a	16-16373-08-640	Drain Plug (included in item 21)	X	X
21b	16-02705-08-640	Strainer Plate (included in item 21)	X	X
21c	10-01471-40-560	Waste Gasket (included in item 21)	X	X
21d	16-03461-08-640	Tailpiece (included in item 21)	X	X
21e	16-03463-08-640	Slipnut (included in item 21)	X	X
21f	11-03462-20-550	Locknut (included in item 21)	X	X
21g	10-03529-40-560	Gasket (included in item 21)	X	X

* Look for detailed schematic of this part in Detailed Parts Section

To order parts, contact your nearest Halsey Taylor wholesaler or representative.

Continued product improvement makes specifications subject to change without notice.

Halsey Taylor.

P.O. BOX 9001
OAKBROOK, ILLINOIS 60521