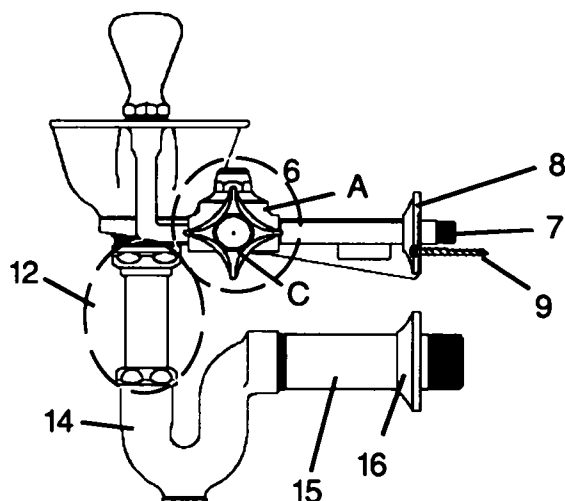
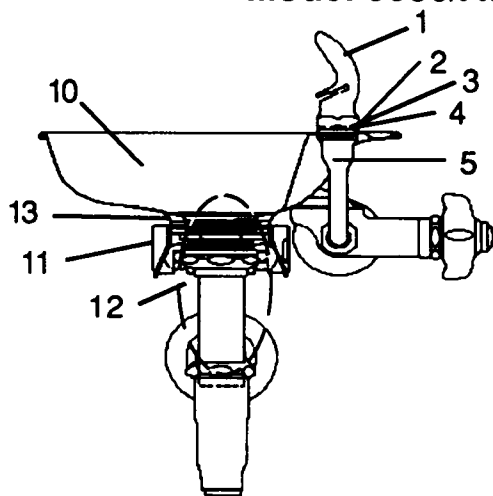


BRACKET FOUNTAINS

Model 6600/Automatic Stream Control



FOUNTAIN 6600 PARTS LIST

REF NO	PART NUMBER	DESCRIPTION
1	16-03165-08-640	Projector
2	16-06092-08-550	Nipple
3	10-10474-42-550	Stream Breaker
4	10-03227-40-560	Gasket (2 each)
5	16-05050-08-640	Projector Connection
6	60-01486-51-640	Cross Handle Valve Assembly *
6a	60-09418-51-640	Valve Assembly (included in item 6)*
6b	60-08050-51-550	Valve Repair Kit (for item 6a)*
6c	60-01128-51-640	Cross Handle Stem Assembly (included in item 6)*
6d	60-08250-51-550	Stem Repair Kit (for item 6c)*
7	16-00841-08-640	Nipple
8	10-00272-42-590	Wall Flange
9	11-06850-43-890	Lag Screw (2 each)
10	17-07050-42-830	Receptor
11	40-07552-42-830	Bracket
12	60-00379-51-640	Drain Assembly*
12a	16-16373-08-640	Drain Plug (included in item 12)
12b	16-02705-08-640	Strainer Plate (included in item 12)
12c	10-01471-40-560	Waste Gasket (included in item 12)
12d	16-03460-08-640	Tailpiece (included in item 12)
12e	16-03463-08-640	Slipnut (included in item 12)
12f	11-03462-20-550	Locknut (included in item 12)
12g	10-03529-40-560	Gasket (included in item 12)
13	10-08571-40-740	Gasket
14	16-00234-08-640	Trap
15	16-07674-08-640	Nipple
16	10-00273-42-590	Wall Flange

* Look for detailed schematic of this part in Detailed Parts Section

To order parts, contact your nearest Halsey Taylor wholesaler or representative.

Continued product improvement makes specifications subject to change without notice.

Halsey Taylor.

P.O. BOX 9001
OAKBROOK, ILLINOIS 60521