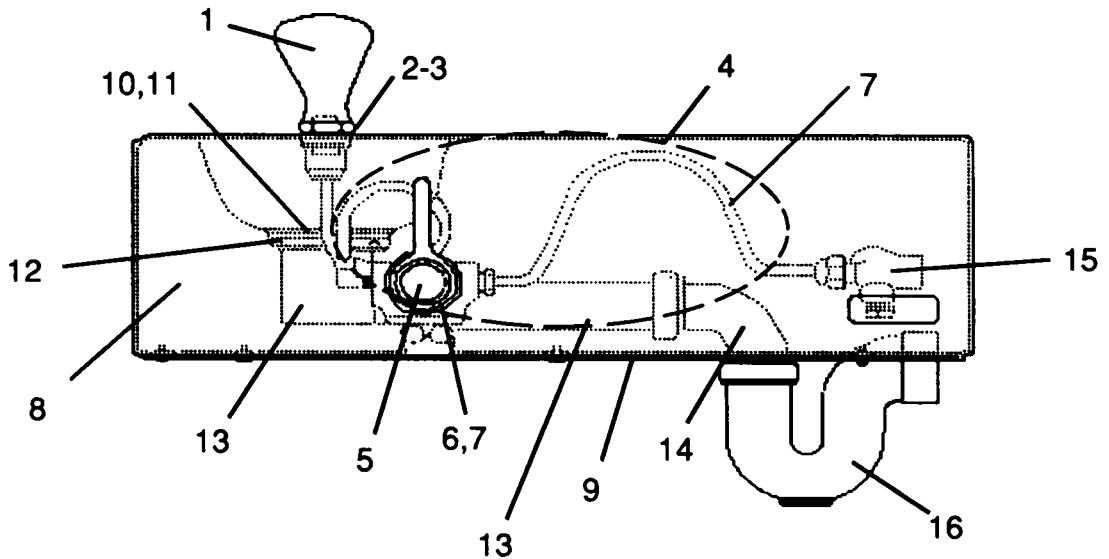


## WHEEL CHAIR FOUNTAINS

### Model 6800 WC/ Single Handle



<b>FOUNTAIN 6800 WC Single Handle PARTS LIST</b>		
REF NO	PART NUMBER	DESCRIPTION
1	16-03165-08-XXX	Projector
2	16-06092-08-550	Nipple
3	10-03227-40-560	Gasket (2 each)
4	60-11807-51-550	Valve and Supply Line Assembly*
4a	60-14200-51-740	Valve Assembly (included in item 4)*
4b	60-08050-51-550	Valve Repair Kit (for item 4a)*
4c	60-03421-51-550	Projector Supply Line (included in item 4)
4d	60-01878-51-550	Inlet Supply Tube Assembly (included in item 4)
5	60-01166-51-XXX	Lever Handle Stem Assembly*
5a	60-08250-51-550	Stem Repair Kit (for item 5)*
6	41-15642-08-XXX	Locknut
7	10-01158-24-740	Gasket (2 each)
8	17-08505-42-XXX	Receptor
9	40-15379-43-730	Bottom Cover
10	16-16373-08-XXX	Drain Plug
11	16-02705-08-XXX	Strainer Plate
12	10-01471-40-560	Waste Gasket
13	60-08623-51-550	Waste Line Assembly
14	16-08621-51-820	Waste Elbow
15	60-05022-51-550	Service Valve (not included with fountain)
16	16-00234-08-640	Trap (not included with fountain)

\* Look for detailed schematic of this part in **Detailed Parts Section**  
 XXX - See Page I-A for Color Chart

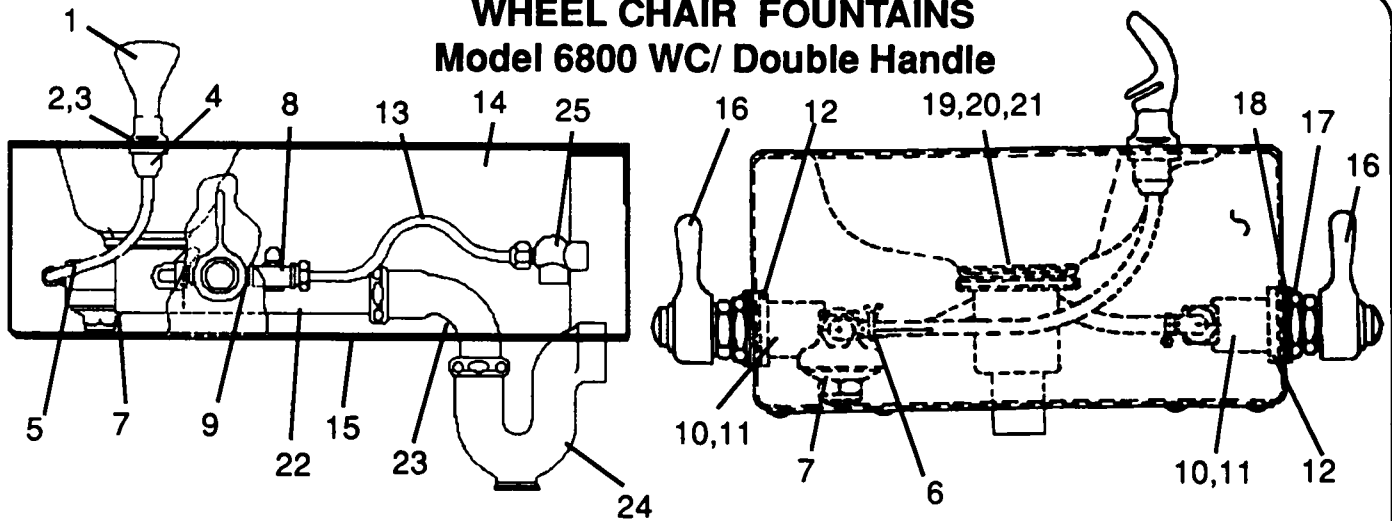
**To order parts, contact your nearest Halsey Taylor wholesaler or representative.**

*Continued product improvement makes specifications subject to change without notice.*

***Halsey Taylor.***

P.O. BOX 9001  
 OAKBROOK, ILLINOIS 60521

## WHEEL CHAIR FOUNTAINS Model 6800 WC/ Double Handle



### FOUNTAIN 6800 WC Double Handle PARTS LIST

REF NO	PART NUMBER	DESCRIPTION
1	16-03165-08-XXX	Projector
2	16-06092-08-550	Nipple
3	10-03227-40-560	Gasket (2 each)
4	60-16323-51-550	Projector Connection
5	40-14337-31-550	Projector Tube
6	10-14225-43-550	Hose Clamp (2 each)
7	60-01196-51-550	Regulator Assembly*
7a	60-08050-51-550	Regulator Repair Kit (for item 7)*
8	16-01060-08-550	Tee (2 each)
9	16-00203-08-550	Nipple (3 each)
10	16-01155-08-550	Valve Body (2 each)
11	16-06451-08-640	Seat (2 each)
12	11-01157-08-550	Locknut (2 each)
13	60-10418-51-550	Tube Assembly
14	17-10420-42-XXX	Receptor
15	40-15379-43-730	Bottom Cover Plate
16	60-01166-51-XXX	Lever Handle Stem Assembly (2 each)*
16a	60-08250-51-550	Stem Repair Kit (for item 16)*
17	41-15642-08-XXX	Locknut (2 each)
18	10-01158-24-740	Gasket (4 each)
19	16-16373-08-XXX	Drain Plug
20	16-02705-08-XXX	Strainer Plate
21	10-01471-40-560	Waste Gasket
22	60-08623-51-550	Waste Line Assembly
23	16-08621-51-820	Waste Elbow
24	16-00234-08-640	Trap (Not included)
25	60-05022-51-550	Service Stop (Not included)

\* Look for detailed schematic of this part in Detailed Parts Section  
XXX - See Page I-A for Color Chart

**To order parts, contact your nearest Halsey Taylor wholesaler or representative.**

*Continued product improvement makes specifications subject to change without notice.*

**Halsey Taylor.**

P.O. BOX 9001  
OAKBROOK, ILLINOIS 60521