

# MODELS 6800 WCM

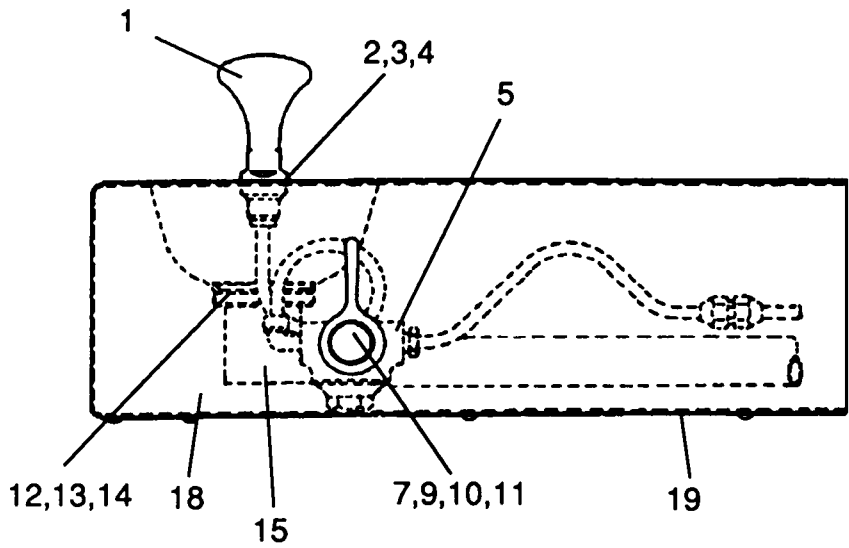
## 6800WCM PARTS LIST

REF NO	PART NUMBER	DESCRIPTION	6800WCM	6800WCM
			1-Handle	2-Handle
1	16-03165-08-640	Projector	X	X
2	16-06092-08-550	Projector Nipple	X	X
3	10-03227-40-560	Gasket (2 each)	X	X
4	10-10474-42-550	Stream Breaker		
5	60-11807-51-550	Regulator/Supply Line Assembly*	X	
5	60-01196-51-550	Regulator Assembly*		X
5a	60-08050-51-550	Valve Repair Kit (for item 5)*	X	X
6	16-01155-08-550	Valve Body (2 each)		X
7	60-01166-51-640	Lever Stem Assembly*	X	2
7a	60-08250-51-550	Stem Repair Kit (for item 7)*	X	X
8	16-01185-08-550	Regulator Cap		X
9	41-15642-08-640	Nut	X	2
10	10-01158-24-740	Gasket	X	2
11	11-01157-08-550	Locknut	X	2
12	16-16373-08-640	Drain Plug	X	X
13	16-02705-08-640	Strainer Plate	X	X
14	10-01471-40-560	Waste Gasket	X	X
15	60-15374-51-550	Waste Tube Assembly	X	X
16	16-08621-51-820	Waste Elbow (not shown)	X	X
17	60-07352-08-550	Slip Elbow (not shown)		X
18	17-08505-42-830	Receptor	X	
18	17-10420-42-830	Receptor		X
19	40-15379-43-730	Bottom Cover Plate	X	X
20	40-14954-43-730	Receptor Hanger (not shown)	X	X
21	41-11292-42-830	Back Panel	X	X
22	60-11143-51-550	Louvered Panel	X	X
23	60-10418-51-550	Inlet Line		X
24	60-03421-51-550	Projector Line		X
25	60-05022-51-550	Service Stop (Accessory)		X

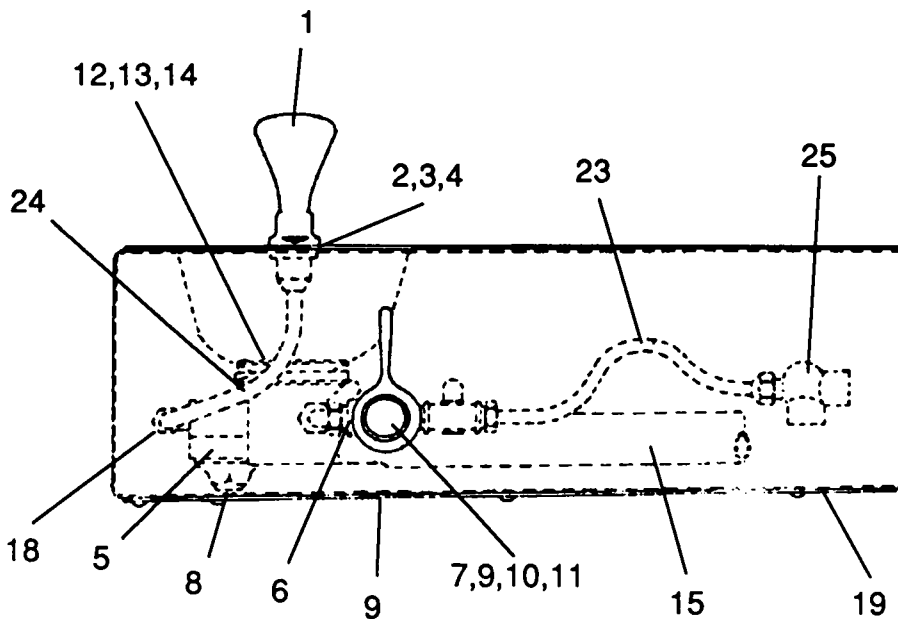
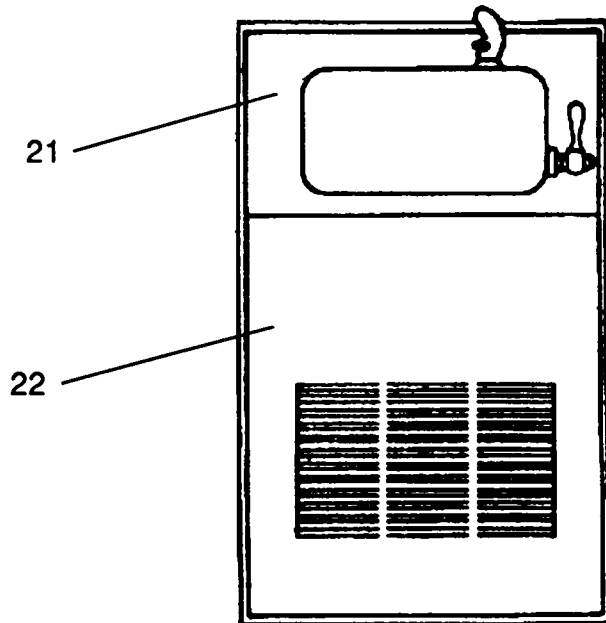
**See SJ8711 for Refrigeration Section**

\* Look for detailed schematic of this part in Detailed Parts Section

# MODEL 6800WCM



**6800 WCM  
SINGLE HANDLE**



**6800 WCM  
DOUBLE HANDLE**

**To order parts, contact your nearest Halsey Taylor wholesaler or representative.**

*Continued product improvement makes specifications subject to change without notice.*

**Halsey Taylor.**