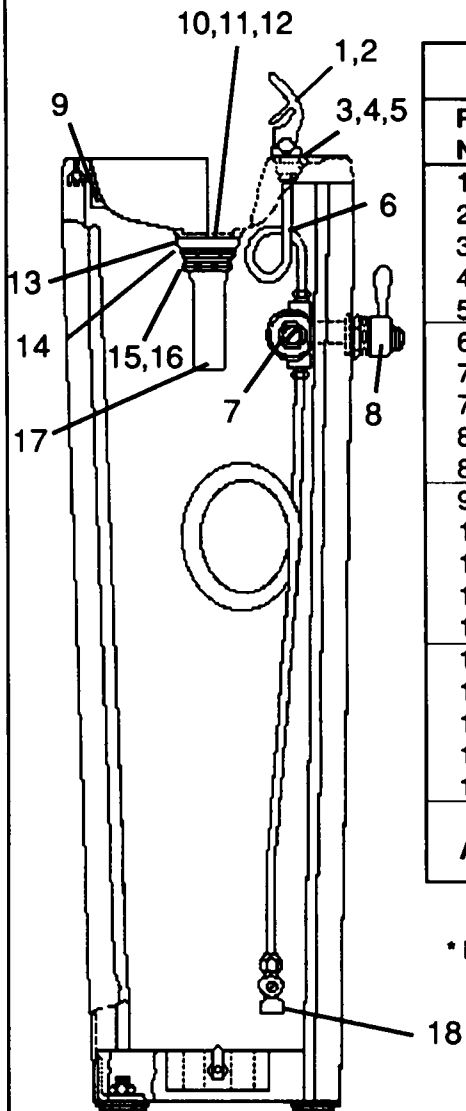


PEDESTAL FOUNTAINS
Models 6837 and 8760
(Obsolete)



FOUNTAINS 6837 and 8760 PARTS LIST

REF NO	PART NUMBER	DESCRIPTION	6837	8760
1	40-09423-08-640	Vandal Proof Projector	X	X
2	11-05449-42-550	Vandal Proof Screw (for item 1)	X	X
3	16-06092-08-550	Projector Nipple	X	X
4	10-10474-42-550	Stream Breaker	X	X
5	10-03227-40-560	Gasket (2 each)	X	X
6	60-03488-51-550	Supply Line	X	X
7	60-02596-51-550	Regulator Assembly*	X	X
7a	60-08050-51-550	Diaphragm Kit (for item7)*	X	X
8	60-03508-08-640	Lever Stem Assembly*	X	X
8a	60-08250-51-550	Stem Repair Kit (for item8)*	X	X
9	NO LONGER AVAILABLE	Receptor	X	X
10	60-09854-51-640	Vandal Proof Drain Plug	X	X
11	16-02705-08-640	Strainer Plate	X	X
12	11-05449-42-550	Vandal Proof Screw (for item11)	X	X
13	10-01471-40-560	Gasket	X	X
14	11-03462-20-550	Locknut	X	X
15	16-03463-08-640	Slip Nut	X	X
16	10-03529-40-560	Gasket	X	X
17	16-03460-08-640	Tailpiece		X
18	60-05022-51-550	Service Valve	X	X

ALL OTHER PARTS NO LONGER AVAILABLE

* Look for detailed schematic of this part in Detailed Parts Section

To order parts, contact your nearest Halsey Taylor wholesaler or representative.

Continued product improvement makes specifications subject to change without notice.

Halsey Taylor.

P.O. BOX 9001
 OAKBROOK, ILLINOIS 60521