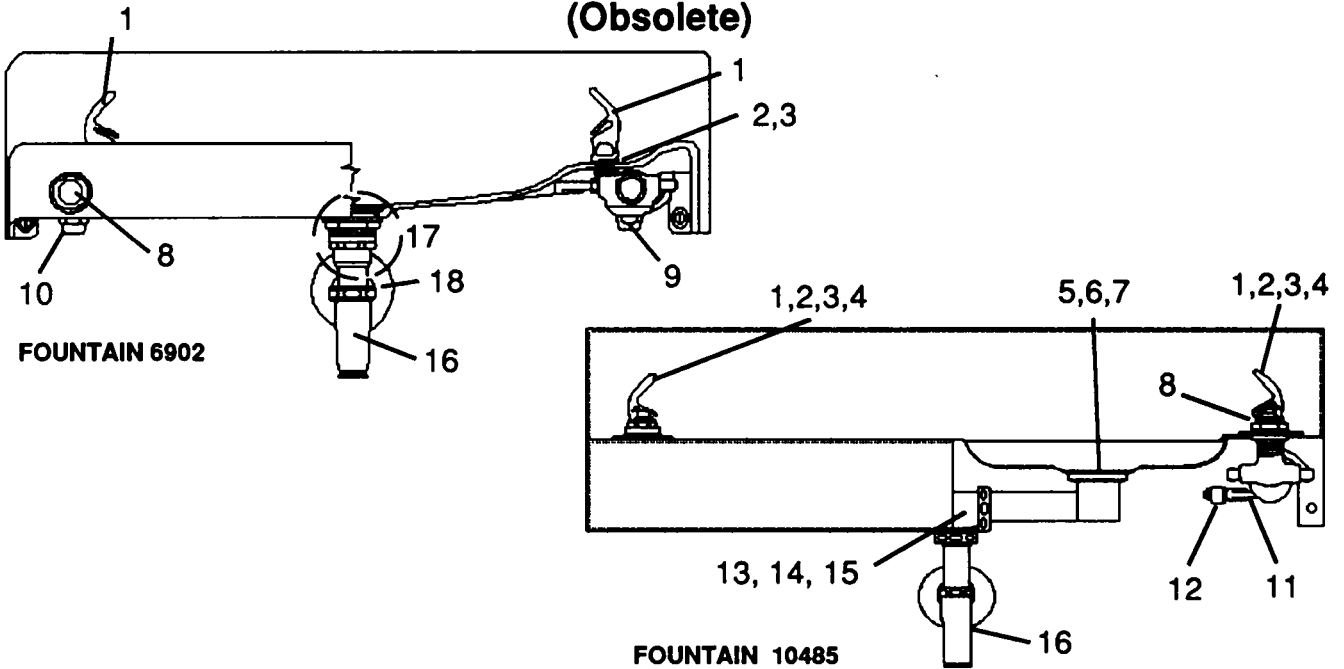


# BATTERY FOUNTAINS

## Models 6902 and 10485

(Obsolete)



### FOUNTAINS 6902 and 10485 PARTS LIST

REF NO	PART NUMBER	DESCRIPTION	6902	10485
1	16-03165-08-640	Projector (2 each)	X	X
2	10-03227-40-560	Gasket (4 each)	X	X
3	16-06092-08-550	Nipple (2 each)	X	X
4	10-10474-42-550	Stream Breaker (2 each)	X	X
5	16-16373-08-640	Drain Plug (2 each)		X
6	16-02705-08-640	Strainer Plate (2 each)		X
7	10-01471-40-560	Waste Gasket (2 each)		X
8	60-08240-51-640	Push Button Assembly (2 each)*	X	X
9	60-08717-51-550	Supply Line Assembly (Right Hand)	X	
9	No Longer Available	Regulator Supply Line		X
10	60-08718-51-550	Supply Line Assembly (Left Hand)	X	
10	No Longer Available	Regulator Supply Line		X
10a	60-08050-51-550	Diaphragm Repair Kit (for 9 & 10)*		
11	60-03424-51-550	Inlet Supply Tube (2 each)		X
12	60-05022-51-550	Service Valve (2 each)*		X
13	No Longer Available	Waste Line		X
14	No Longer Available	Slip Nut (2 each)		X
15	No Longer Available	Slip Tee		X
16	16-00234-08-640	Trap	X	X
17	60-00379-51-640	Strainer Assembly*	X	
18	10-00273-42-590	Wall Flange	X	

\* Look for detailed schematic of this part in Detailed Parts Section

**To order parts, contact your nearest Halsey Taylor wholesaler or representative.**

*Continued product improvement makes specifications subject to change without notice.*

***Halsey Taylor.***

P.O. BOX 9001  
OAKBROOK, ILLINOIS 60521