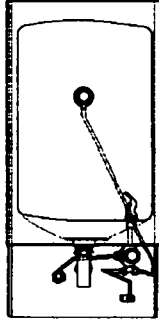


FULLY RECESSED FOUNTAINS AND FOUNTAINS WITH CUSPIDOR CONNECTIONS

Models 8880 and 8881



SEE PAGE 24
FOR REFERENCED
PART BREAKDOWN

FOUNTAINS 8880 and 8881 PARTS LIST

REF NO	PART NUMBER	DESCRIPTION	8880	8881	8880 w/CUSP	8881 w/CUSP
1	16-03165-08-640	Projector	X	X	X	X
2	16-06092-08-550	Nipple	X	X	X	X
3	11-10695-42-550	Stream Breaker	X	X	X	X
4	10-03227-40-560	Gasket (2 each)	X	X	X	X
5	16-01943-08-550	Projector Connection	X	X	X	X
6	16-08684-08-550	Nipple	X	X	X	X
7	16-01617-08-550	Elbow	X		X	
8	16-08792-08-550	Tee		X		X
9	60-08240-51-640	Push Button Stem Assembly*	X	X	X	X
10	62-15961-51-550	Valve with Cusp Connection (incl. items 4 & 6)			X	X
10	60-10389-51-920	Valve Assembly*	X	X		
10a	60-08050-51-550	Stem Repair Kit (for item 10)*	X	X	X	X
11	60-10145-51-550	Supply Tube Assembly	X	X	X	X
12	40-09234-40-560	Armaflex insulation (for item 10)	X	X	X	X
13	17-08570-42-830	Receptor	X		X	
13	40-08791-42-830	Receptor		X		X
14	73-08732-51-960	Wall Box	X	X	X	X
15	40-08671-42-550	Receptor Wall Bracket (2 each)	X	X	X	X
16	11-08574-43-890	Wing Nuts (2 each)	X	X	X	X
17	11-08528-42-550	Washer (2 each)	X	X	X	X
18	40-26535-42-830	Panel	X	X	X	X
19	60-00614-51-640	Drain Assembly*	X	X	X	X
19a	16-16373-08-640	Drain Plug (included in item 19)	X	X	X	X
19b	16-02705-08-640	Strainer Plate (included in item 19)	X	X	X	X
19c	10-01471-40-560	Drain Gasket (included in item 19)	X	X	X	X
19d	16-03461-08-640	Tailpiece (included in item 19)	X	X	X	X
19e	16-03463-08-640	Slipnut (included in item 19)	X	X	X	X
19f	11-03462-20-550	Locknut (included in item 19)	X	X	X	X
19g	10-03529-40-560	Gasket (included in item 19)	X	X	X	X
20	73-02408-51-640	Glass Filler* (See Accessory Breakdown		X		X
21	60-08794-51-550	Glass Filler Supply Line Assembly*		X		X
22	10-03227-40-560	Gasket		X		X
23	10-07519-24-870	Gasket		X		X
24	41-15642-08-640	Locknut		X		X

* Look for detailed schematic of this part in Detailed Parts Section

To order parts, contact your nearest Halsey Taylor wholesaler or representative.

Continued product improvement makes specifications subject to change without notice.

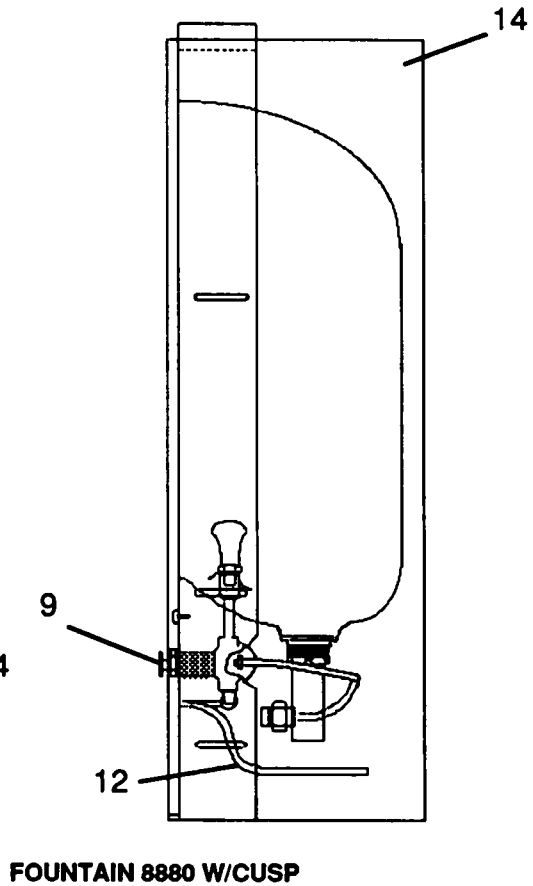
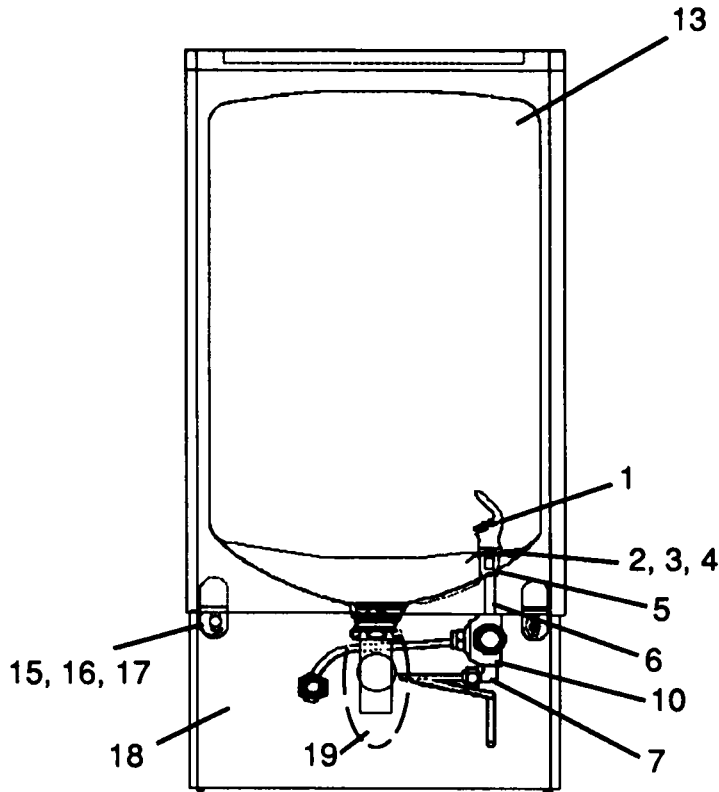
Halsey Taylor.

P.O. BOX 9001
OAKBROOK, ILLINOIS 60521

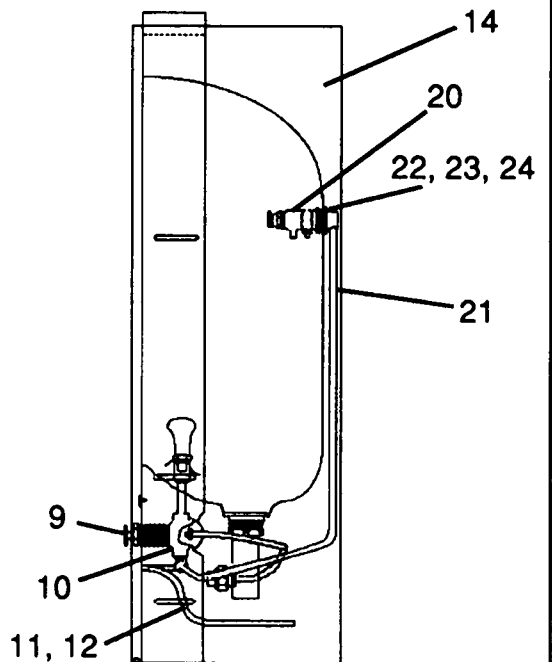
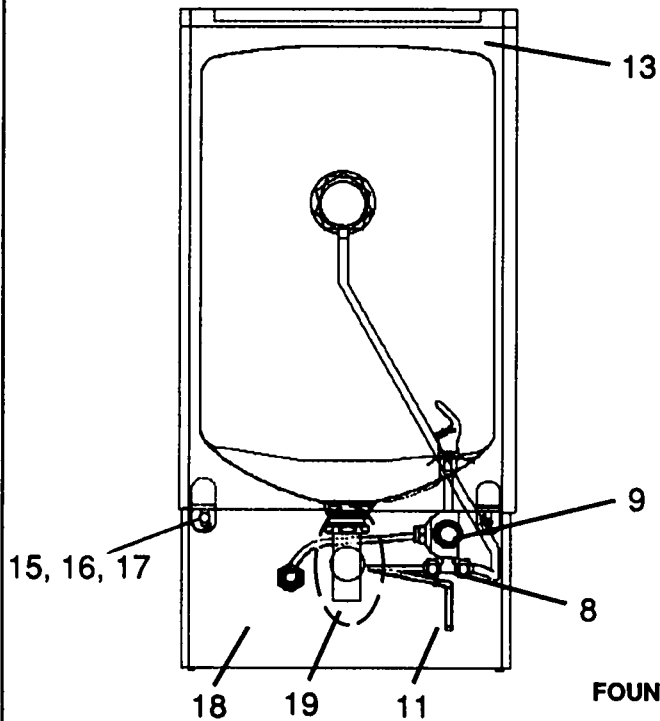
FULLY RECESSED FOUNTAINS AND FOUNTAINS WITH CUSPIDOR CONNECTIONS

Models 8880 and 8881

SEE PAGE 23
FOR NUMBERED
PARTS CHART



FOUNTAIN 8880 W/CUSP



FOUNTAIN 8881 W/CUSP