

MODEL BFC7EE-2

BFC7EE-2 PART LIST

REF NO.	PART NUMBER	DESCRIPTION
1	10-14228-31-640	Projector
2	10-03227-40-560	Projector Gasket (2 required)
3	16-42252-16-550	Projector Nipple (included in 13)
4	60-26674-51-550	Regulator/Solenoid Cluster*
4a	60-01980-51-550	Regulator (included in item 4)*
4b	60-08050-51-550	Diaphragm Repair Kit* (for item 4)
4c	19-26185-51-550	Solenoid (included in item 4)
5	19-26183-51-550	Sensor
6	13-26347-31-920	Name Plate
7	17-15095-42-590	Receptor
8	11-26275-43-890	Receptor Screws (8 each)
9	10-26399-31-640	Drain Plug
10	16-02705-08-640	Strainer Plate
11	10-01471-40-560	Waste Gasket
12	60-15994-51-550	Waste Line
13	60-26730-51-550	Projector Service Line
14	60-26850-51-550	Valve to Chiller Line
15	60-15999-51-550	Inlet Supply Line
16	60-26833-51-550	Compressor Assembly
16a	19-26930-82-550	Relay/Overload (included in item 16)
17	10-10800-51-550	Drier
18	19-14761-51-550	Fan Motor
19	10-42095-43-730	Fan Blade
20	40-14705-43-730	Fan Mounting Bracket
21	10-15147-31-560	Fan Shroud
22	19-15175-51-550	Condenser
23	60-15528-51-550	Chiller
24	19-42339-51-550	Temperature Control
25	10-06876-08-640	Glass Filler Button
26	19-26687-51-550	Wiring Assembly
27	29-15163-16-550	Cap Tube
28	40-26193-43-XXX	Upper Front Panel
29	40-42097-43-XXX	Lower Front Panel
30	40-42096-43-XXX	Rear Side Panel (2 required)
31	40-15136-43-XXX	Upper Right Hand Side Panel
32	40-15137-43-XXX	Upper Left Hand Side Panel
33	40-26838-43-730	Bottom/Back Panel
34	11-10083-43-890	Panel Screws (33 each)
35	40-06609-43-730	Hanger Bracket (not shown)
36	10-15146-31-560	Front Bumper (black)
37	11-15201-43-890	Front Bumper Screws (2 each)
38	40-26194-43-730	Dispenser Bottom Panel
39	10-15431-31-560	Back Bumper
40	11-15430-43-890	Back Bumper Screws (2 each)

ACCESSORIES AVAILABLE

Glass Filler – See Spec Book
Glass Filler Installation Kit – 73-26589-51-550
Water Filtration Kit – 73-15242-51-550* (installed external to cooler)
73-15423-51-550* (installed inside cooler)
Vandal Proof Kit – 73-15243-51-550*

XXX Please specify color when ordering. See Color Chart on page I-A for colors available.

*See Detailed Parts Section for further breakdown.

MODELS BFC7EE-2

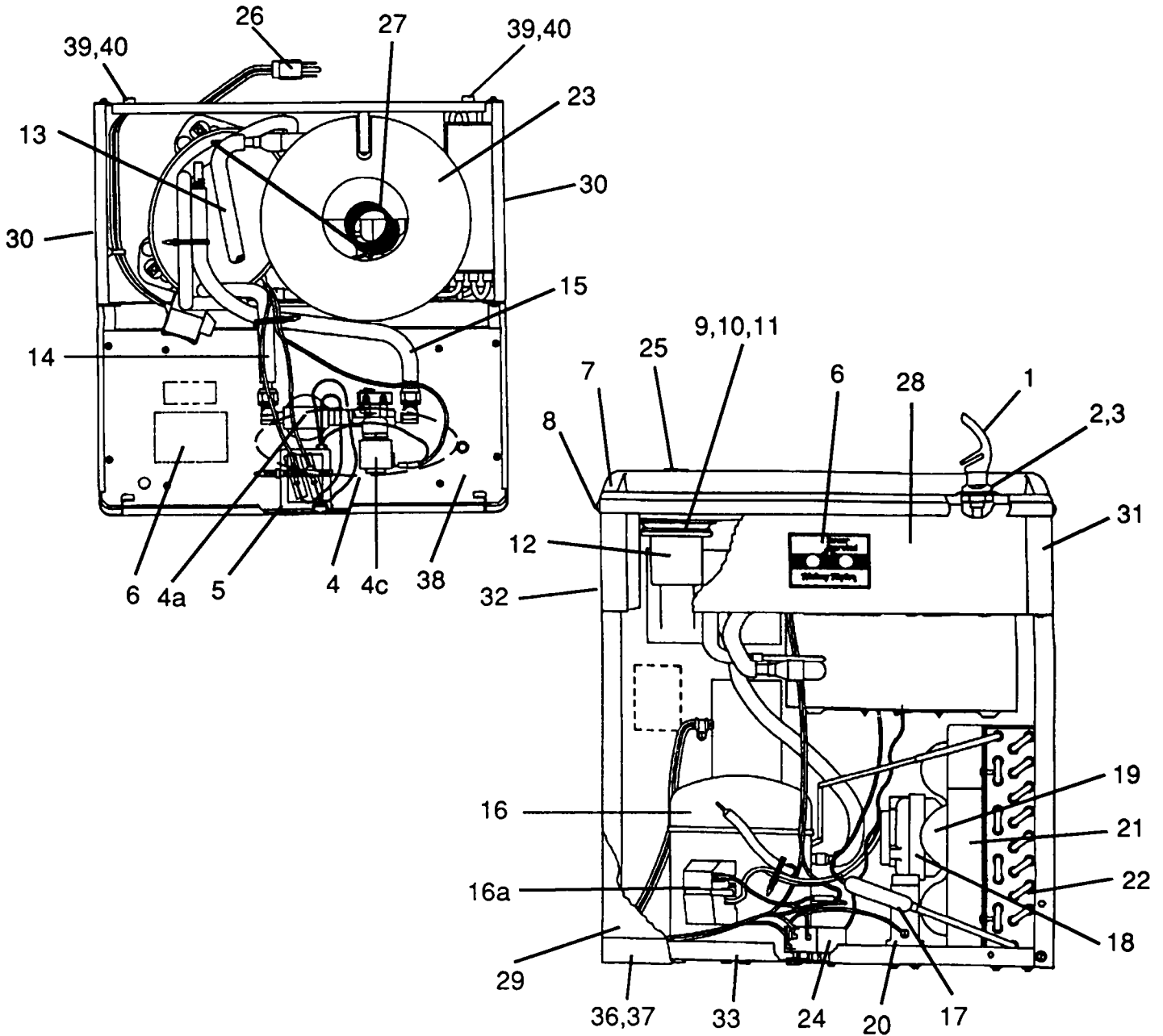
MODEL#	MFG DATE S/N ENDING	COLD WATER CAP*	COMP HP	VOLTAGE ± 10	PH	HZ	TOTAL AMPS	R-12 REFRIG CHARGE*	WATER INLET PSIG
BFC7EE-2	H88 - M90	7GPH	1/5	115	1	60	3.5	7.25	20-90

HEIGHT: 21¹/₁₆"

WIDTH: 18"

DEPTH: 18¹/₂"

*ARI Ratings: capacity at GPH cooled to 50° with 90°F ambient temperature and 80°F inlet water.



To order parts, contact your nearest Halsey Taylor wholesaler or representative.

Continued product improvement makes specifications subject to change without notice.

Halsey Taylor.