

# MODEL BFC8EE

## BFC8EE PART LIST

REF NO.	PART NUMBER	DESCRIPTION
1	10-14228-31-640	Projector
2	10-03227-40-560	Projector Gasket (2 required)
3	16-42252-16-550	Projector Nipple (included in 13)
4	60-26674-51-550	Regulator/Solenoid Cluster*
4a	60-01980-51-550	Regulator* (included in item 4)
4b	60-08050-51-550	Diaphragm Repair Kit* (for item 4a)
4c	19-26185-51-550	Solenoid (included in item 4)
5	19-26183-51-550	Sensor
6	13-26347-31-920	Name Plate
7	17-15095-42-590	Receptor
8	11-26275-43-890	Receptor Screws (8 each)
9	10-26399-31-640	Drain Plug
10	16-02705-08-640	Strainer Plate
11	10-01471-40-560	Waste Gasket
12	60-15994-51-550	Waste Line
13	60-26850-51-550	Valve to Chiller Line
14	60-15999-51-550	Inlet Supply Line
15	60-42100-51-550	Compressor Assembly
15a	19-42093-82-550	Relay/Overload (included in item 15)
16	10-10800-51-550	Drier
17	19-14761-51-550	Fan Motor
18	10-42095-43-870	Fan Blade
19	10-15147-31-560	Fan Shroud
20	40-26720-43-730	Fan Mounting Bracket
21	19-42094-51-550	Condenser
22	60-15528-51-550	Chiller
23	19-42339-51-550	Temperature Control
24	10-06876-08-640	Glass Filler Button
25	19-26687-51-550	Wiring Assembly
26	29-15398-16-550	Capillary Tube
27	60-26730-51-550	Projector Supply Line
28	40-26193-43-XXX	Upper Front Panel
29	40-42097-43-XXX	Lower Front Panel
30	40-42096-43-XXX	Rear Side Panel (2 required)
31	40-15136-43-XXX	Upper Right Hand Side Panel
32	40-15137-43-XXX	Upper Left Hand Side Panel
33	40-26838-43-730	Bottom/Back Panel
34	40-26194-43-730	Dispenser Bottom Panel
35	11-10083-43-890	Panel Screws (33 each)
36	40-06609-43-730	Hanger Bracket (not shown)
37	10-15146-31-560	Front Bumper (black)
38	11-15201-43-890	Front Bumper Screws (2 each)
39	10-15431-31-560	Back Bumper
40	11-15430-43-890	Back Bumper Screws (2 each)

### ACCESSORIES AVAILABLE

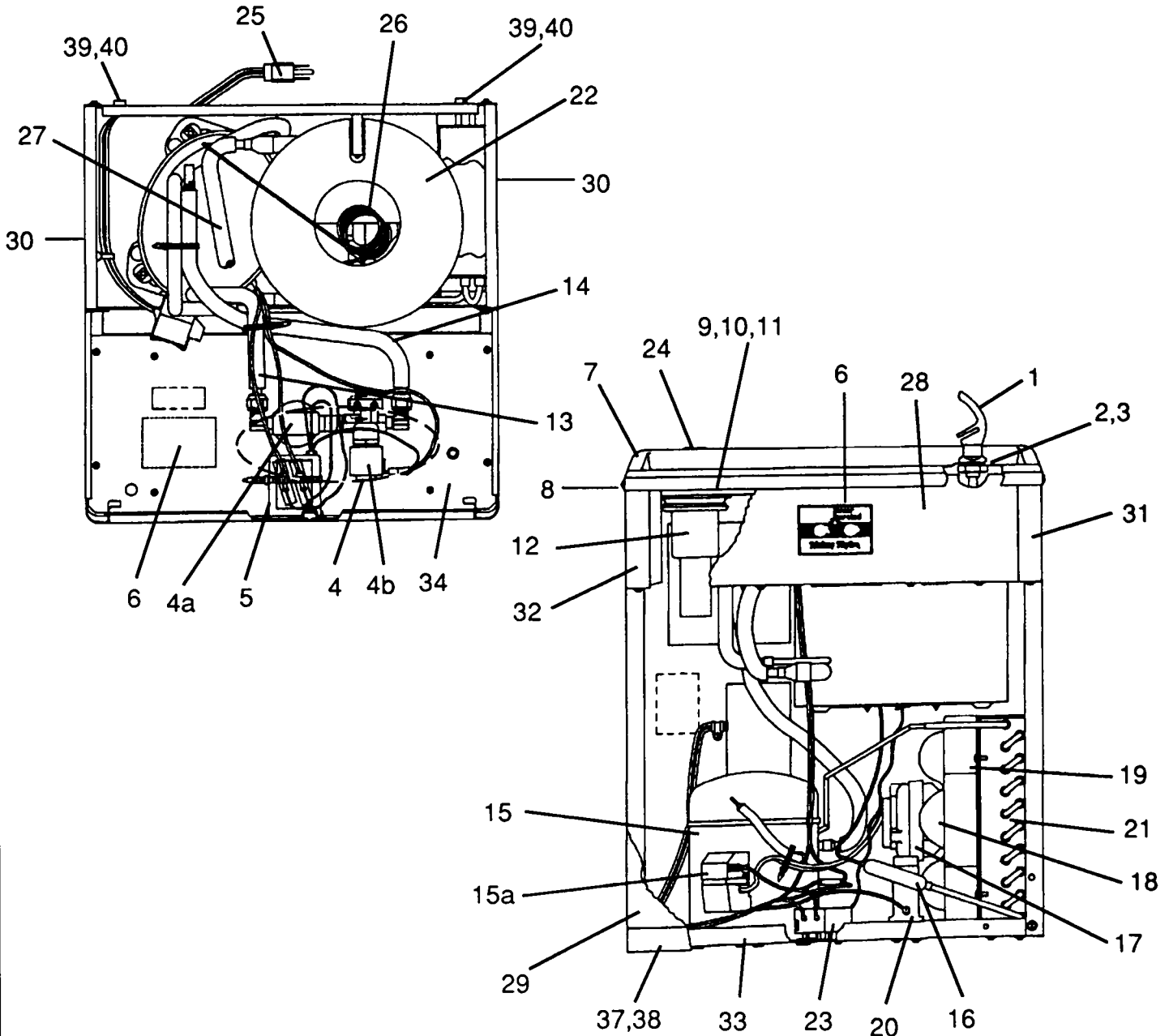
Glass Fillers – See Spec Book  
 Glass Filler Installation Kit – 73-26589-51-550  
 Water Filtration Kits – 73-15242-51-550\* (installed external to cooler)  
 73-15423-51-550\* (installed inside cooler)  
 Vandal Proof Kit – 73-15243-51-550\*

XXX Please specify color when ordering. See Color Chart on page I-A for colors available.

\*See Detailed Parts Section for further breakdown.

# MODEL BFC8EE

MODEL#	MFG DATE S/N ENDING	COLD WATER CAP*	COMP HP	VOLTAGE ± 10	PH	HZ	TOTAL AMPS	R-12 REFRIG CHARGE*	WATER INLET PSIG
BFC8EE	M90 - Current	8GPH	1/4	115	1	60	3.0	6.0	20-90
HEIGHT: 21 <sup>11</sup> / <sub>16</sub> "			WIDTH: 18"			DEPTH: 18 <sup>1</sup> / <sub>2</sub> "			
*ARI Ratings: capacity at GPH cooled to 50° with 90°F ambient temperature and 80°F inlet water.									



**To order parts, contact your nearest Halsey Taylor wholesaler or representative.**

*Continued product improvement makes specifications subject to change without notice.*

**Halsey Taylor.**