

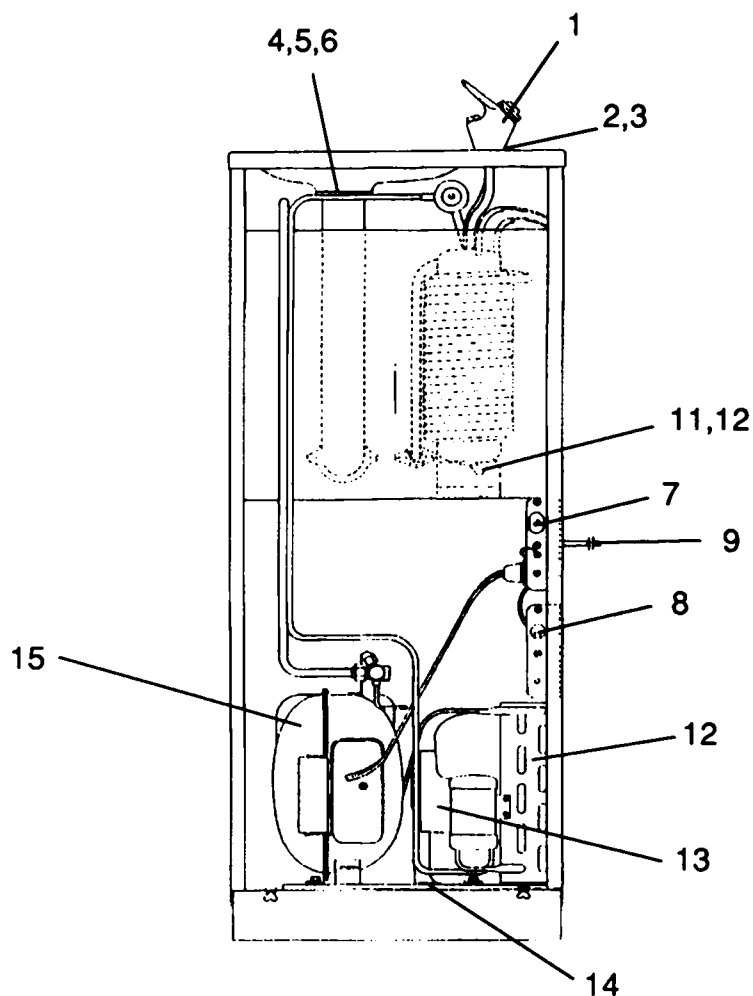
# MODELS GC5A and GC10A

## GC5A and GC10A PART LIST

REF NO.	PART NUMBER	DESCRIPTION	GC5A	GC10A
1	10-03041-51-640	Projector*	X	X
1a	10-14884-51-550	Cartridge (included in item 1)	X	X
2	10-03227-40-560	Projector Gasket (2 each)	X	X
3	16-06092-08-550	Projector Nipple	X	X
4	16-16373-08-640	Drain Plug	X	X
5	16-02705-08-640	Strainer Plate	X	X
6	10-01471-40-560	Waste Gasket	X	X
7	19-42339-51-550	Primary Temperature Control	X	X
8	19-15342-51-550	Secondary Temperature Control	X	X
9	19-06802-01-920	Wiring Harness	X	X
10	16-06090-08-640	Glass Filler Plug Button (not shown)	X	X
11	16-01453-08-550	Plug	X	X
12	19-03090-51-560	Condenser	X	X
13	NO LONGER AVAILABLE	Fan Motor	X	X
14	41-06286-51-730	Fan Motor Bracket	X	X
15	60-08394-51-550	Compressor (must use Adapter Kit)	X	X
16	60-08592-51-550	Adapter Kit	X	X

ALL OTHER PARTS NO LONGER AVAILABLE

XXX Please specify color when ordering. See Color Chart on page I-A for colors available. See Detailed Parts Section for further breakdown.



To order parts, contact your nearest Halsey Taylor wholesaler or representative.

Continued product improvement makes specifications subject to change without notice.

*Halsey Taylor.*