

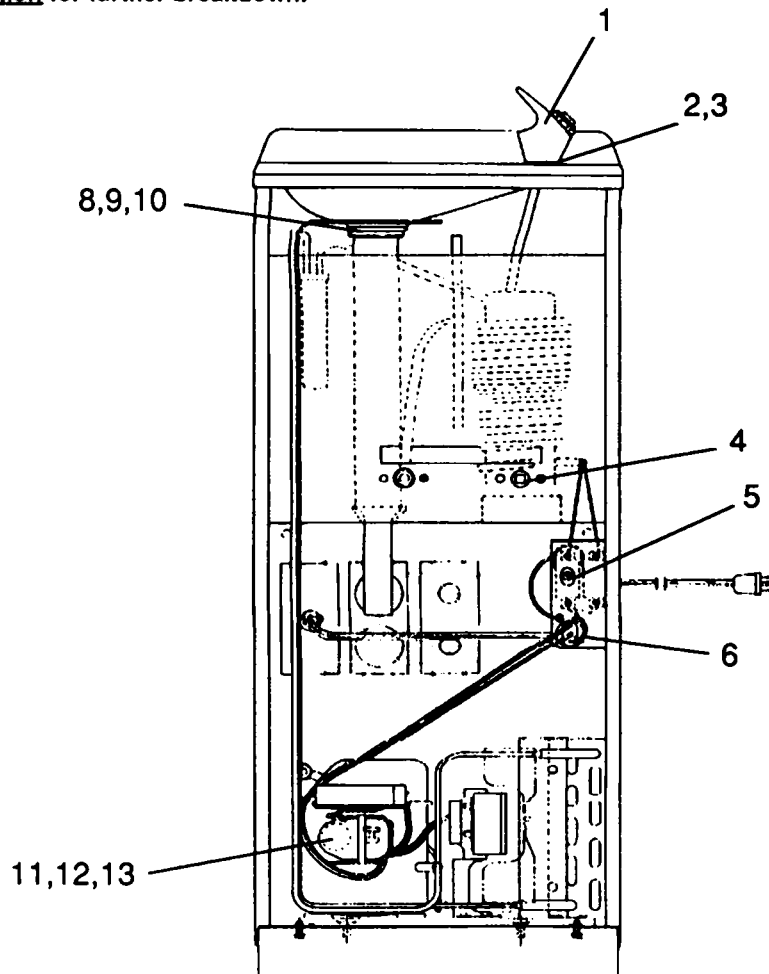
# MODELS GT5A and GT10A (Obsolete)

GT 5A and GT 10A PART LIST				
REF NO.	PART NUMBER	DESCRIPTION	GT5A	GT10A
1	10-03041-51-640	Projector*	X	X
1a	10-14884-51-550	Cartridge (included in item 1)	X	X
2	10-03227-40-560	Projector Gasket (2 each)	X	X
3	16-06092-08-550	Projector Nipple	X	X
4	16-01453-XX-XXX	Plug	X	X
5	19-42339-51-550	Primary Temperature Control	X	X
6	19-15342-51-550	Secondary Temperature	X	X
7	10-06876-08-640	Glass Filler Button (not shown)	X	
7	10-06090-08-640	Glass Filler Button (not shown)		X
8	10-01471-40-560	Waste Gasket	X	X
9	16-16373-08-640	Drain Plug	X	X
10	16-02705-08-640	Strainer Plate	X	X
11	19-10864-82-550	Capacitor	X	X
12	19-08121-51-550	Relay	X	X
13	19-08120-51-550	Overload	X	X

**ALL OTHER PARTS ARE NO LONGER AVAILABLE**

XXX Please specify color when ordering. See Color Chart on page I-A for colors available.

\*See Detailed Parts Section for further breakdown.



**To order parts, contact your nearest Halsey Taylor wholesaler or representative.**

*Continued product improvement makes specifications subject to change without notice.*

**Halsey Taylor.**