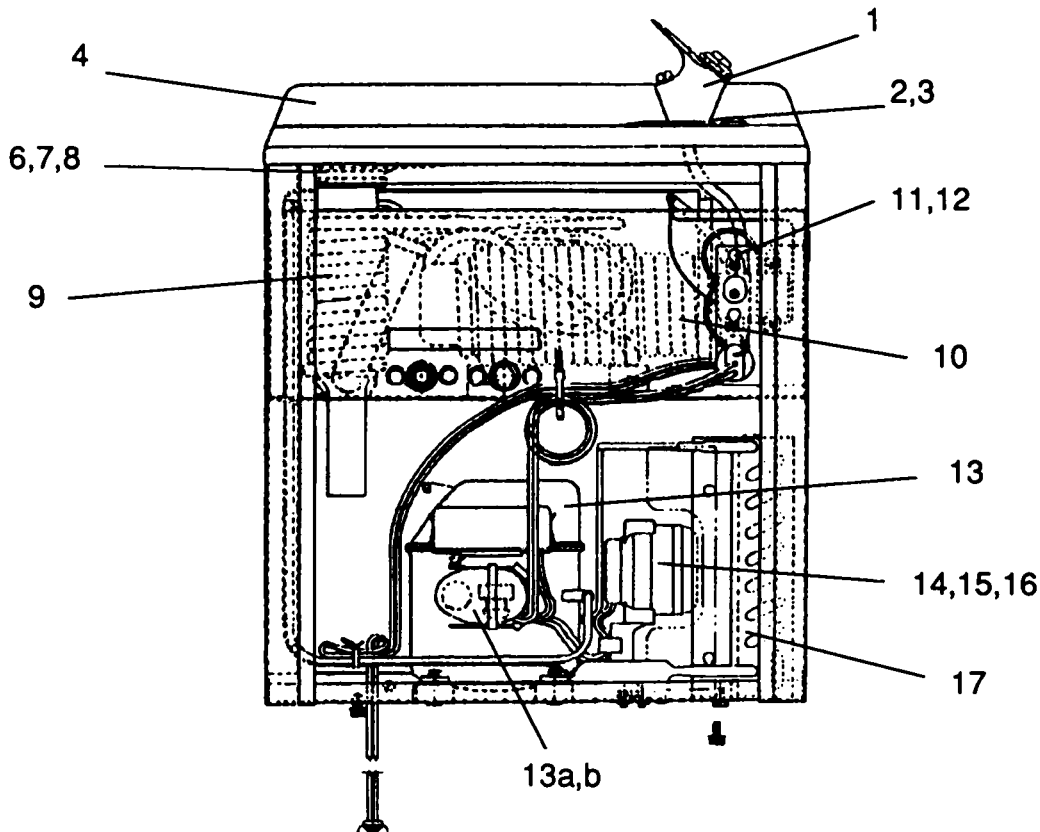


MODELS GW5A-1 and GW10A-1 (Obsolete)

GW5A-1 and GW10A-1 PART LIST				
REF NO.	PART NUMBER	DESCRIPTION	GW5A-1	GW10A-1
1	10-03041-51-640	Projector*	X	X
1a	10-14884-51-550	Cartridge (included in item 1)	X	X
2	10-03227-40-560	Projector Gasket (2 each)	X	X
3	16-06092-08-550	Projector Nipple	X	X
4	17-07400-42-830	Receptor	X	X
5	10-06876-08-640	Glass Filler Plug Button (not shown)	X	X
6	16-16373-08-640	Drain Plug	X	X
7	16-02705-08-640	Strainer Plate	X	X
8	10-01471-40-560	Waste Gasket	X	X
9	NO LONGER AVAILABLE	Precooler	X	X
10	NO LONGER AVAILABLE	Lowside Assembly	X	X
11	19-42339-51-550	Primary Temperature Control	X	X
12	19-15342-51-550	Secondary Temperature Control	X	X
13	60-07548-51-550	Compressor Assembly	X	X
13a	19-07549-51-550	Relay (included in item 13)	X	X
13b	19-07401-51-550	Overload (included in item 13)	X	X
14	19-14482-51-550	Fan Motor	X	X
15	19-08417-04-550	Fan Blade	X	X
16	41-06286-51-730	Fan Motor Bracket	X	X
17	NO LONGER AVAILABLE	Condenser and Shroud	X	X
18	40-06609-43-730	Hanger Bracket (not shown)	X	X

XXX Please specify color when ordering. See Color Chart on page I-A for colors available.
See Detailed Parts Section for further breakdown.



To order parts, contact your nearest Halsey Taylor wholesaler or representative.

Continued product improvement makes specifications subject to change without notice.

Halsey Taylor.